



## Elite FT Heating Boiler

**JOB NAME:**

**LOCATION:**

**ARCH. / ENGR.:**

**WHOLESALER:**

**MECH. CONTRACTOR:**

**MODEL NUMBER:**

**TYPE OF GAS:**

**BTU/HR INPUT LOW - HIGH FIRE:**

**NOTES:**

### Heat Exchanger

- All Stainless Steel 80 PSI ASME Stamped Construction - National Board listed
- Low pressure drop, gasketless, vertical tube combustion heat exchanger design – provides maintenance-free operation on internal buildup of material inside the combustion chamber
- 30 PSI Relief Valve

### Combustion System

- Modulating burner with 5 to 1 turndown
- 98% Thermal Efficiency (All Models)
- High Grade Inconel Burner Design
- Spark Ignition
- Models Available for Natural or LP Gas
- Dual Flame monitoring (Spark and Flame probe)

### Integrated Control System

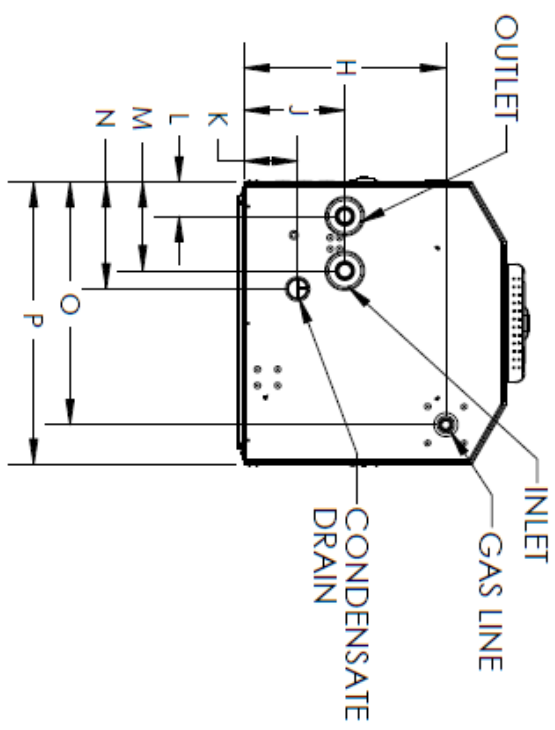
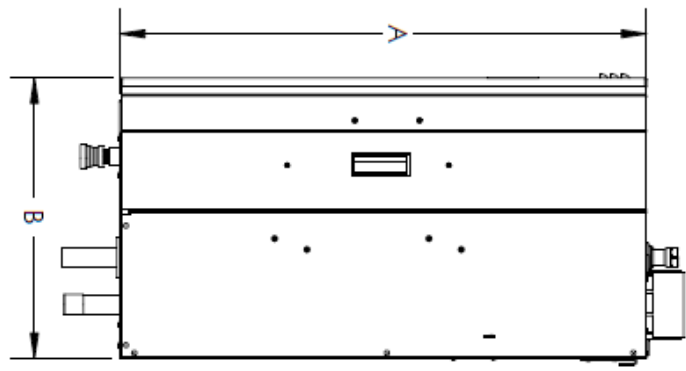
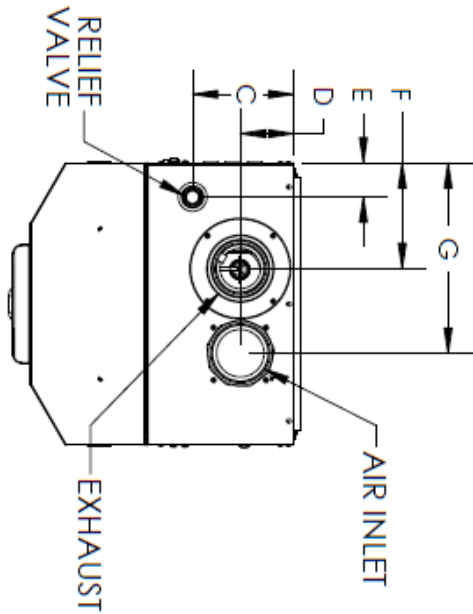
- Digital operating control with 2 line / 20 character LCD text display to program and monitor boiler operation
- Three boiler set point temperature inputs– Boiler Pump – System Pump – DHW Pump / Domestic Hot Water priority with timing
- Programmable settings: Outdoor Reset Curve – DHW Supply Set Point – Step Sequence for delayed response for smart zones – Boost Response - Cascade up to 8 boilers
- Field Connection Board – Line voltage terminal strip with 120 VAC / 60 Hertz power / low voltage terminal strip with multiple contacts - Cascade wiring CAT 5 / CAT 3
- 24 Volt monitoring
- 0-10 VDC input for Building Management System
- Boiler output regulation (Adjustment of boiler output down to 50 percent of rated capacity)
- Low water protection device
- Password Security - Flashing maintenance indicator with optional programmed installer contact information
- Time Clock / Data logging – Last 10 fault codes with date and time
- Customized freeze protection parameters
- Modbus enable through external adapter to monitor or control boiler through BMS system

### Additional Features

- Energy Star qualified – 96% DOE AFUE efficiency rating
- Superior condensate collection system with overflow protection switch
- Vents in Plastic PVC - CPVC - Stainless Steel – ULC S636 flexible polypropylene vent liner (chimney lining only)
- Vents up to 200 combined equivalent feet
- 12 Year Limited Warranty
- Manual reset high temperature limit
- Zero clearance requirement to combustibles
- Dry contact for alarm output
- Included wall mount bracket

### Optional

- System Sensor (Part # 7250P-324)
- Indirect Sensor (7250P-325)
- 3” Polypro Flex Vent Kit (8400P-001)
- 3” PVC Concentric Vent Kit (KGAVT0601CVT)
- 3” Stainless Steel Termination Vent Kit (V1000)
- 4” Stainless Steel Termination Vent Kit (V2000)
- Flow Switch (7450P-213)
- Condensate Neutralizer (7450P-212)
- U.L. 353 Compliant Low Water Cut-Off Interface Kit w/ Manual Reset (7450P-225)
- Alarm System (7350P-602) to monitor any failure
- PC Connection Cable w / Software (7350P-320)



MODEL	MAX. MBH	MIN. MBH	AFUE	HEATING CAPACITY MBH	A	B	C	D	E	F	G	H	J	K	L	M	N	O	P
EFT55	55	13	96%	51	32-1/2"	17-3/8"	6-1/4"	3-1/2"	2-1/4"	6-1/2"	11-3/4"	12-1/2"	6-1/4"	3-1/2"	2"	5-1/2"	6-1/2"	15"	17-1/2"
EFT80	80	17		79															
EFT110	110	22		102															

MODEL	GAS CONNECTION	WATER CONNECTION	AIR INLET	VENT SIZE	SHIPPING WT. (LBS)
EFT55	1/2"	1"	3"	3"	125
EFT80					128
EFT110					130

LP-387-K  
11/04/11

**NOTE:** HTP reserves the right to make product changes or updates without notice and will not be held liable for typographical errors in literature.