

- 3. Tighten the clamps using a screwdriver.
- 4. Ensure the pipe is secure before continuing installation.
- 5. For 2" installations, install a reducing coupling in a vertical section of pipe. See Figure 7.

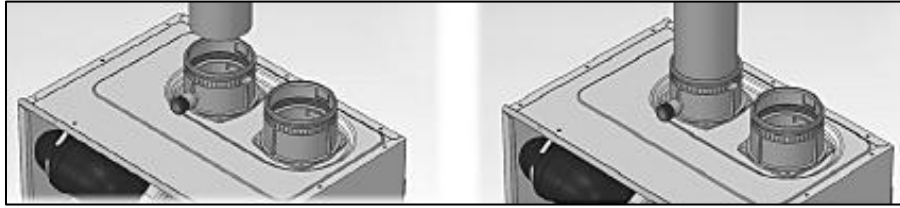


Figure 6 – Correct Installation into the Water heater Collar

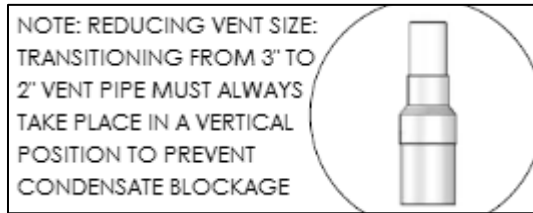


Figure 7 – Transitioning from 3" to 2" Vent Pipe

**E. VENT TERMINATION**

**1. Horizontal Vent Terminations**

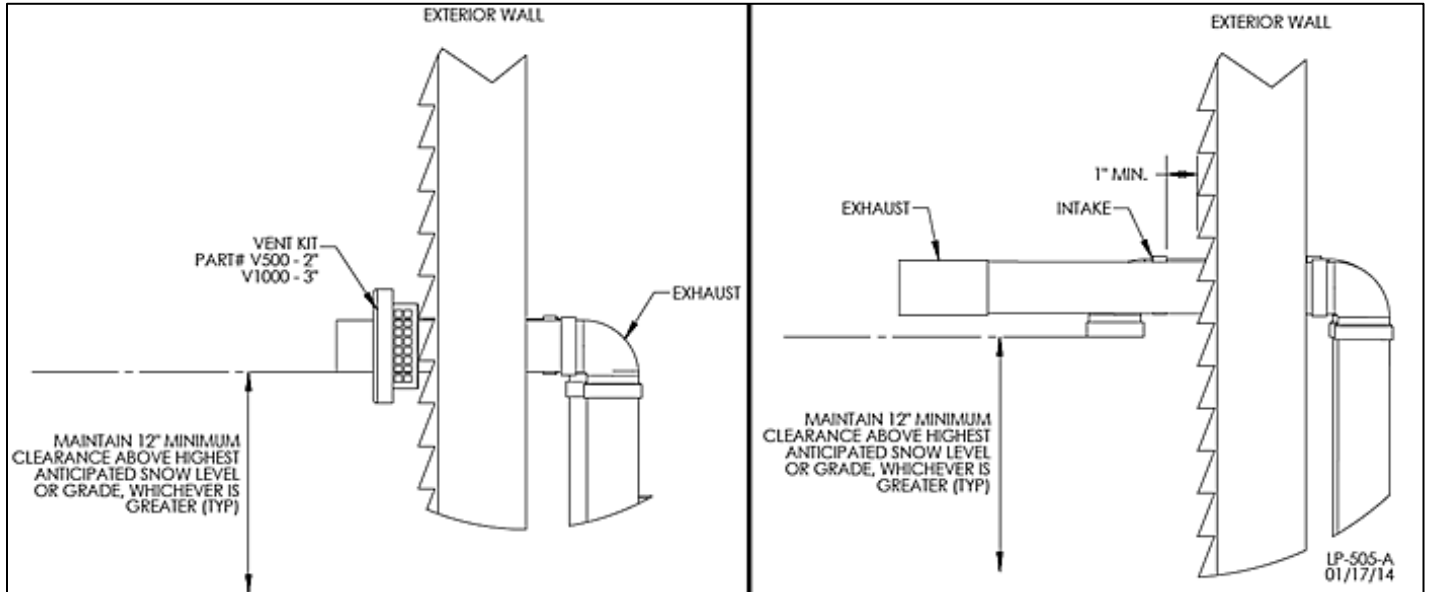


Figure 8 – Direct Vent, Sidewall Vent Termination

## 2. Vertical Vent Termination

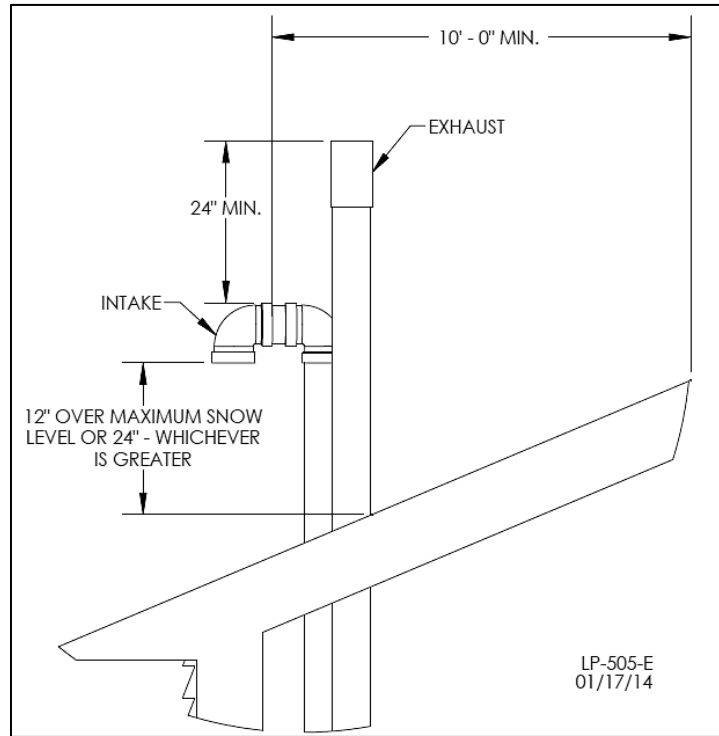


Figure 9 – Direct Vent, Vertical Termination

## 3. Direct Vent, Optional Horizontal and Vertical Concentric Vent

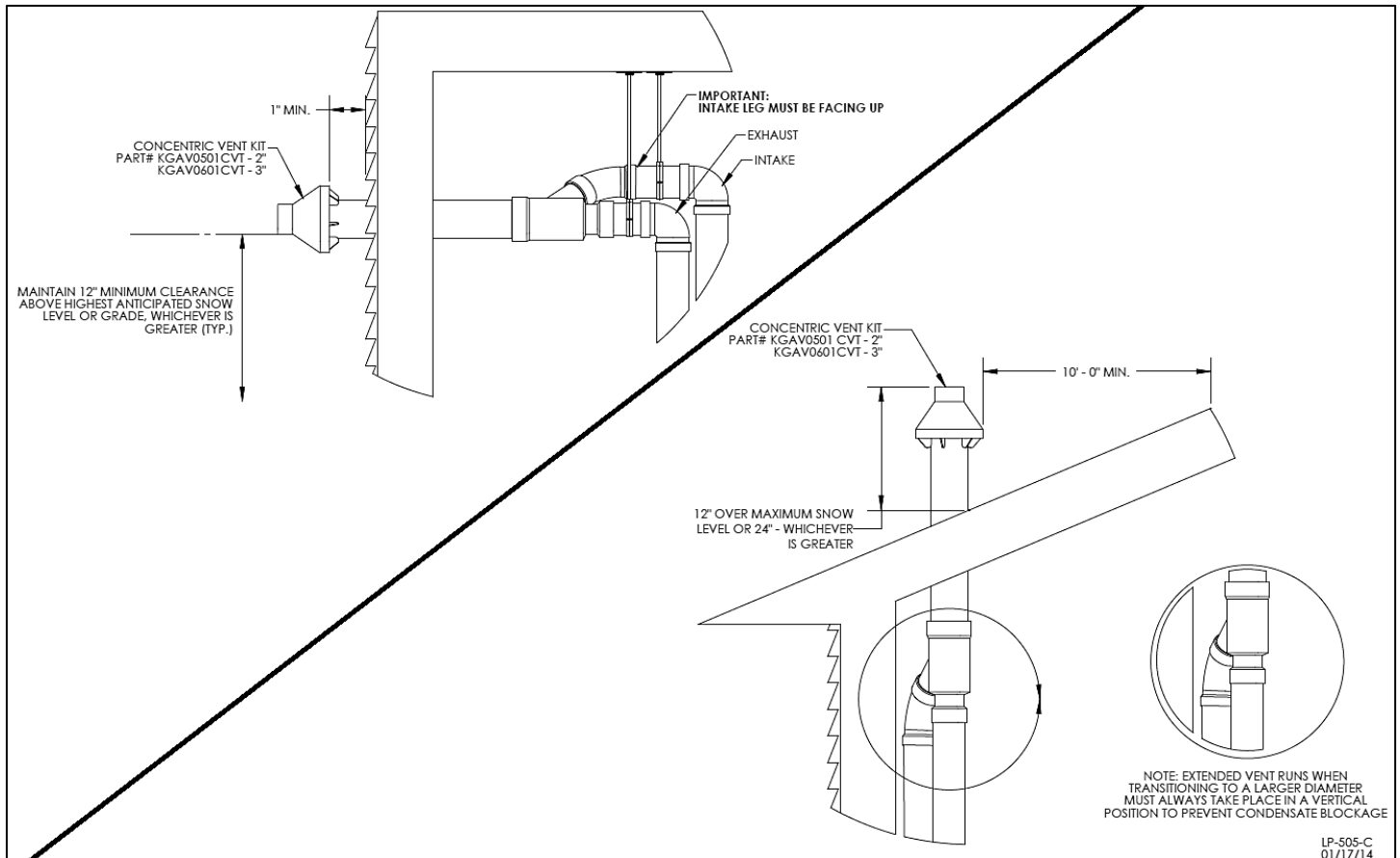


Figure 10 – Direct Vent, Concentric Vent Termination (With Optional Kit)