



Elite Heating Boiler

JOB NAME:

LOCATION:

ARCH. / ENGR.:

WHOLESALER:

MECH. CONTRACTOR:

MODEL NUMBER:

TYPE OF GAS:

BTU/HR INPUT LOW – HIGH FIRE:

NOTES:

Heat Exchanger

- All Stainless Steel 160 PSI ASME Stamped Construction
- National Board listed
- Gasketless Heat Exchanger Design
- 30 PSI Relief Valve
- Front service access to combustion chamber and burner
- Inlet and outlet temperature sensor

Combustion System

- Modulating burner with 5 to 1 turndown
- Up to 95.9% AFUE
- Up to 96.1 Thermal Efficiency
- High Grade Inconel Burner Design
- Spark Ignition
- Models Available for Natural or LP Gas
- Dual Flame monitoring (Spark and Flame probe)
- Superior condensate collection system with float switch
- Vents in Plastic PVC - CPVC - Stainless Steel – ULC S636 flexible polypropylene vent liner (chimney lining only)
- Vents up to 200 combined equivalent feet

Integrated Control System

- Digital operating control with LED display and indicators for System Pump - Boiler Pump – DHW Pump - System Fault – System operation
- Password Protected
- Outdoor reset with Indirect Priority
- Multiple 120 volt pump outputs – Boiler Pump – System Pump – DHW Pump
- 24 Volt monitoring
- 0-10 VDC input for Building Management System
- Boiler Output regulation (Adjustment of boiler output down to 50 percent of rated capacity)
- Cascade up to 8 boilers

Additional Features

- Combination Outlet Fitting to simplify connections
- 12 Year Limited Warranty
- Manual reset High temperature limit
- Adjustable leveling legs
- Field wiring board / Cascade wiring CAT 5 / CAT 3
- Dry contact for alarm output
- Low NOx emissions – SCAQMD Certified

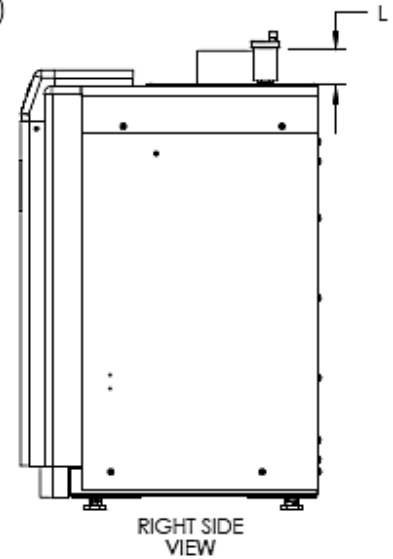
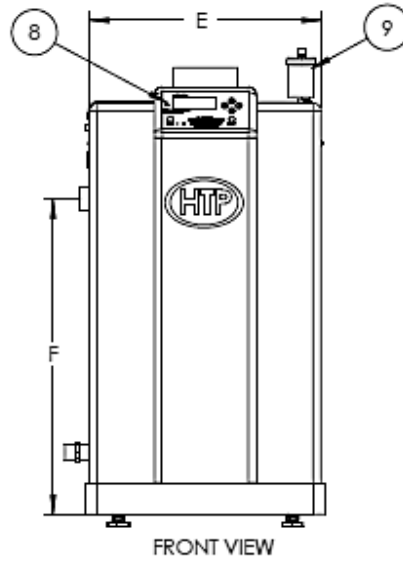
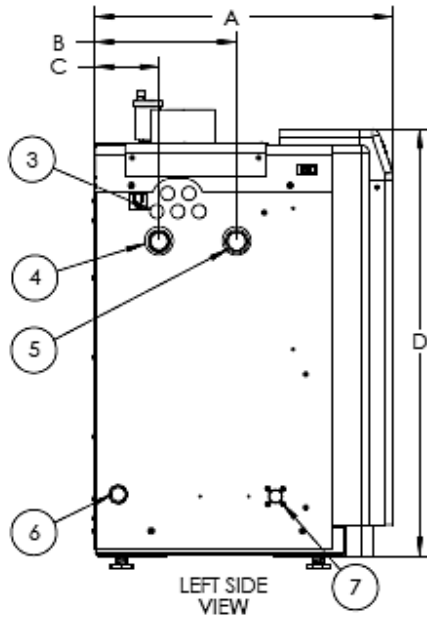
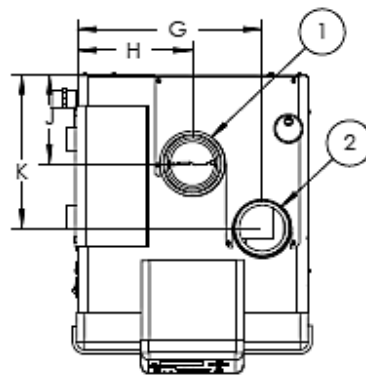
Optional

- System Sensor (Part # 7250P-324)
- Indirect Sensor (7250P-325)
- 3” Polypro Flex Vent Kit (8400P-001)
- 3” PVC Concentric Vent Kit (KGAVT0601CVT)
- 3” Stainless Steel Termination Vent Kit (V1000)
- 4” Stainless Steel Termination Vent Kit (V2000)
- 6” Stainless Steel Termination Vent Kit (V3000)
- Flow Switch (7450P-213)
- Condensate Neutralizer (7450P-212)
- U.L. 353 Compliant Low Water Cut-Off Interface Kit w/ Manual Reset (7450P-225)
- Alarm System (7350P-602) to monitor any failure
- PC Connection Cable w / Software (7250P-738)
- Wall Mount Kit (Part # 7450P-211)
- MODBUS / BACnet (7350P-636)

ELITE BOILER SERIES

- EXHAUST VENT CONNECTION (1)
- COMBUSTION AIR INLET CONNECTION (2)
- ELECTRICAL CONNECTIONS (3)
- SYSTEM RETURN (4)

- (5) SYSTEM SUPPLY WITH INTEGRATED RELIEF VALVE
- (6) CONDENSATE CONNECTION
- (7) GAS LINE CONNECTION
- (8) DISPLAY/CONTROL PANEL
- (9) AIR RELEASE VENT



MODEL*	A	B	C	D	E	F	G	H	J	K	L	SHIPPING WEIGHT
EL-80	18.50	9.00	2.50	27.25	14.50	20.00	11.75	7.38	5.75	10.00	2.18	108
EL-110	18.50	9.00	2.50	27.25	14.50	20.00	11.75	7.38	5.75	10.00	2.18	113
EL-150	19.50	10.50	2.50	27.25	14.50	20.00	11.75	7.38	4.25	8.50	2.18	126
EL-220	26.50	17.50	6.00	27.25	14.50	20.00	11.75	7.38	4.25	8.50	2.18	164
MODEL	MAX MBH	MIN MBH	AFUE	HEATING CAPACITY MBH	SUPPLY/RETURN	EXHAUST/AIR INLET	GAS CONNECTION					
EL-80	80	16	95.9	74	1"	3"	3/4"					
EL-110	110	22	95.7	102								
EL-150	150	30	95.5	139								
EL-220	220	44	95.2	205			1"					

* "N" DENOTES NATURAL GAS "LP" DENOTES PROPANE

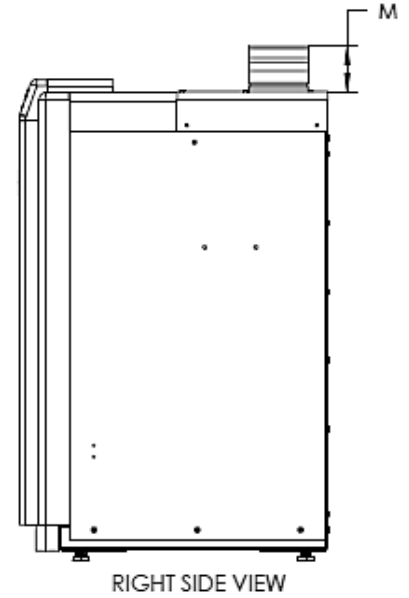
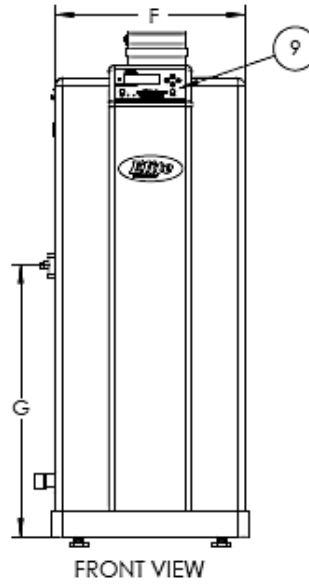
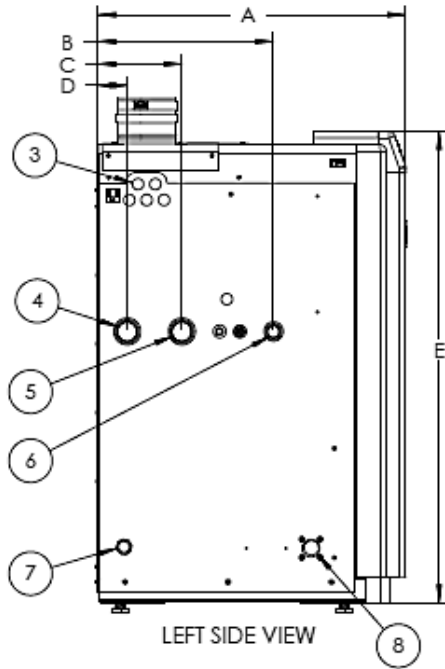
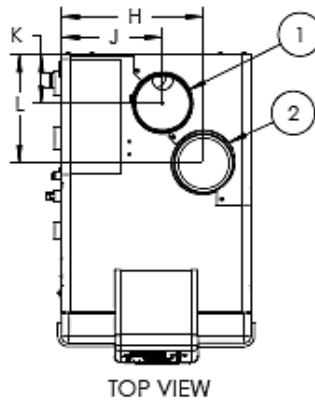
ALL DIMENSIONS ARE APPROXIMATE AND ARE SUBJECT TO CHANGE

LP-285-B
02/05/14

ELITE BOILER SERIES

- EXHAUST VENT CONNECTION (1)
- COMBUSTION AIR INLET CONNECTION (2)
- ELECTRICAL CONNECTIONS (3)
- SYSTEM RETURN (4)

- (5) SYSTEM SUPPLY
- (6) RELIEF VALVE
- (7) CONDENSATE CONNECTION
- (8) GAS LINE CONNECTION
- (9) DISPLAY/CONTROL PANEL



MODEL*	A	B	C	D	E	F	G	H	J	K	L	M	SHIPPING WEIGHT
EL-299	23.75	13.50	6.38	2.25	36.50	14.50	21.00	11.00	7.88	3.63	8.50	3.00	211
EL-301	23.75	13.50	6.38	2.25	36.50	14.50	21.00	11.00	7.88	3.63	8.50	3.00	211
EL-399	30.75	20.50	9.75	2.75	36.50	14.50	21.00	11.00	7.88	3.63	8.50	3.00	256

MODEL *	MAX MBH	MIN MBH	AFUE	HEATING CAPACITY MBH	SUPPLY/RETURN	EXHAUST/AIR INLET	GAS CONNECTION
EL-299	299	60	93.0	276	1-1/4"	4"	1"
EL-301	301	60	96.1 **	289			
EL-399	399	80	93.2 **	372	1-1/2"		

* "N" DENOTES NATURAL GAS "LP" DENOTES PROPANE

** THERMAL EFFICIENCY (NOT AFUE)

ALL DIMENSIONS ARE APPROXIMATE AND ARE SUBJECT TO CHANGE

LP-285-B
02/05/14