



Elite Premier Heating Boiler Submittal Sheet

JOB NAME:

LOCATION:

ARCH. / ENGR.:

WHOLESALE:

MECH. CONTRACTOR:

MODEL NUMBER:

TYPE OF GAS:

BTU/HR INPUT LOW – HIGH FIRE:

NOTES:

Heat Exchanger

- All Stainless Steel 160 PSI ASME Stamped Construction
- National Board listed
- Gasketless Heat Exchanger Design
- 30 PSI Relief Valve
- Front service access to combustion chamber and burner
- Inlet and outlet temperature sensor

Combustion System

- Modulating burner with 10 to 1 turndown
- Up to 96.4% AFUE
- Up to 96.5 Thermal Efficiency
- High Grade Inconel Burner Design
- Spark Ignition
- Models Available for Natural or LP Gas
- Dual Flame monitoring (Spark and Flame probe)
- Superior condensate collection system
- Vents in Plastic PVC - CPVC - Stainless Steel – ULC S636 flexible polypropylene vent liner (chimney lining only)
- Vents up to 200 combined equivalent feet

Integrated Control System

- Digital operating control with LCD display and indicators for System Pump - Boiler Pump – DHW Pump - System Fault – System operation
- Switch Mode Power Supply
- Password Protected
- Outdoor reset with Indirect Priority
- Multiple 120 volt pump outputs – Boiler Pump – System Pump – DHW Pump
- 24 Volt monitoring
- 0-10 VDC input for Building Management System
- Boiler Output regulation (Adjustment of boiler output down to 50 percent of rated capacity)
- Cascade up to eight (8) boilers

Additional Features

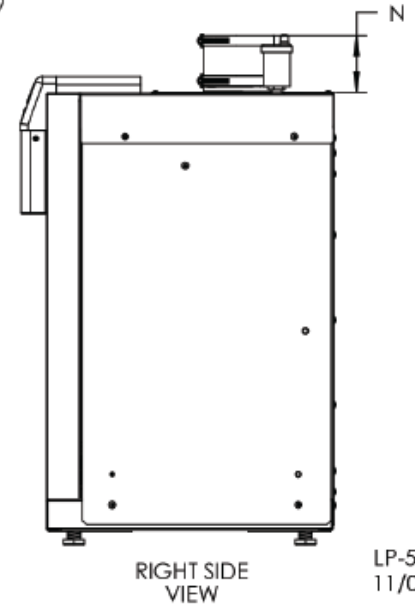
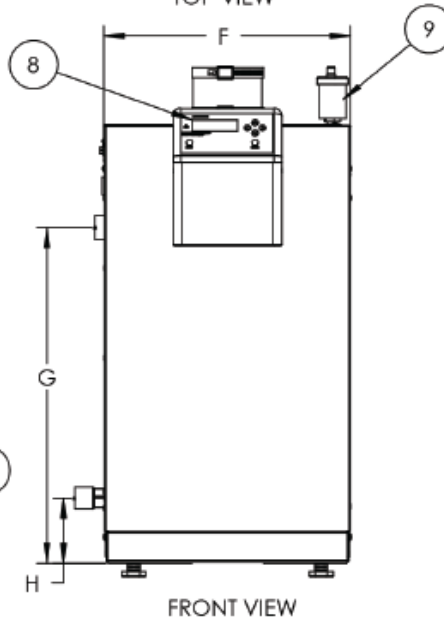
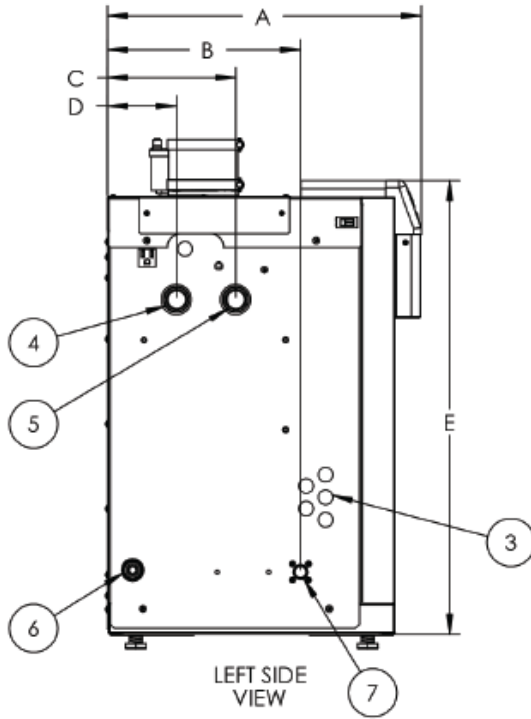
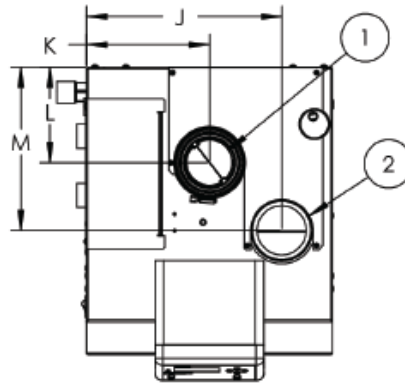
- Combination Outlet Fitting to simplify connections
- 12 Year Limited Warranty
- Manual reset High temperature limit
- Adjustable leveling legs
- Field wiring board / Cascade wiring CAT 5 / CAT 3
- Dry contact for alarm output
- Low NOx emissions – SCAQMD Certified

Optional

- System Sensor (Part # 7250P-324)
- Indirect Sensor (7250P-325)
- 3” Polypro Flex Vent Kit (8400P-001)
- 3” PVC Concentric Vent Kit (KGAVT0601CVT)
- 3” Stainless Steel Termination Vent Kit (V1000)
- 4” Stainless Steel Termination Vent Kit (V2000)
- 6” Stainless Steel Termination Vent Kit (V3000)
- Flow Switch (7450P-213 for EP-80 – 220 Models, 7450P-214 for EP-299, 7450P-215 for EP-399)
- Condensate Neutralizer (7450P-212)
- Low Water Cut-Off Kit (7450P-904)
- Alarm System (7350P-602) to monitor any failure
- PC Connection Cable w / Software (7450P-330)
- Wall Mount Kit (Part # 7450P-211)
- MODBUS / BACnet (7350P-636)

- EXHAUST VENT CONNECTION (1)
- COMBUSTION AIR INLET CONNECTION (2)
- ELECTRICAL CONNECTIONS (3)
- SYSTEM RETURN (4)

- (5) SYSTEM SUPPLY WITH INTEGRATED RELIEF VALVE
- (6) CONDENSATE CONNECTION
- (7) GAS LINE CONNECTION
- (8) DISPLAY/CONTROL PANEL
- (9) AIR RELEASE VENT



LP-550-N
11/02/16

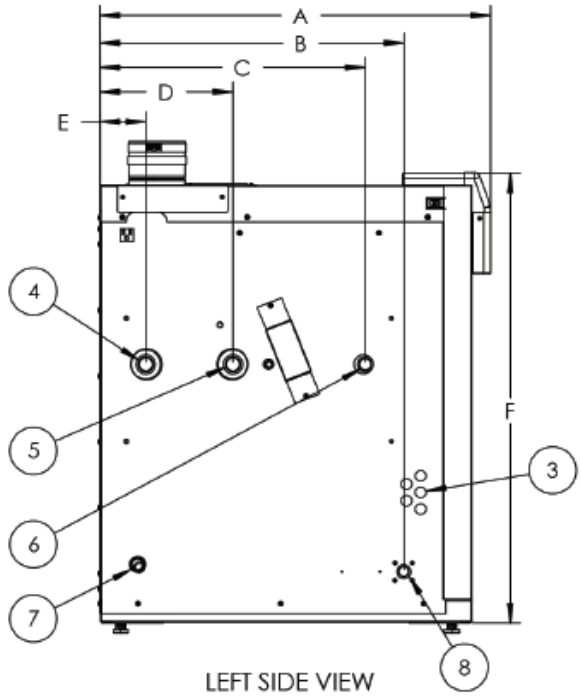
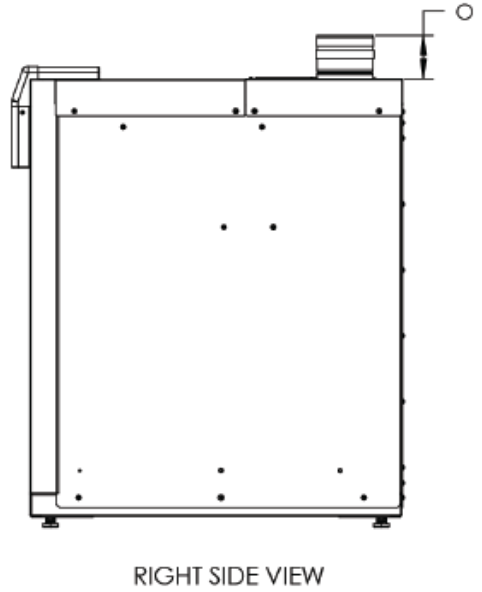
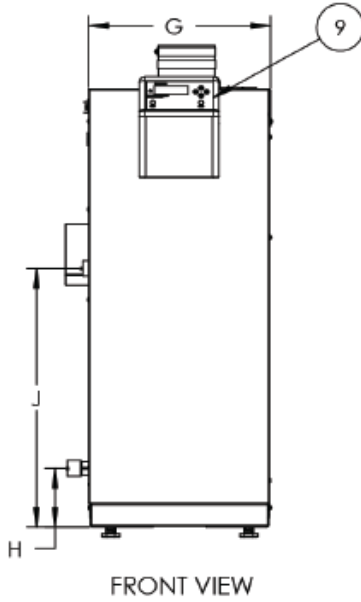
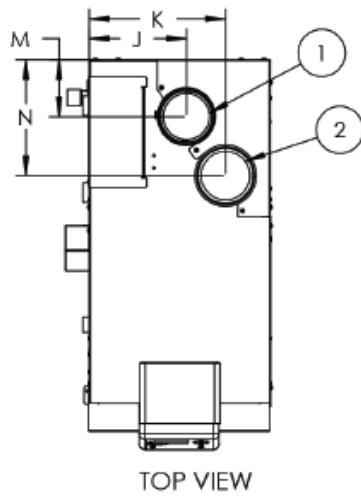
MODEL*	A	B	C	D	E	F	G	H	J	K	L	M	N	SHIPPING WEIGHT
80	18.50	11.50	7.75	4.25	27.00	14.50	20.00	4.00	11.75	7.38	5.75	9.75	4.00	108
110	18.50	11.50	7.75	4.25	27.00	14.50	20.00	4.00	11.75	7.38	5.75	9.75	4.00	113
150	19.50	12.50	10.25	2.50	27.00	14.50	20.00	3.75	11.75	7.38	4.25	8.25	4.00	126
220	26.50	19.50	15.50	6.00	24.25	14.50	20.00	4.50	11.75	7.38	4.25	8.25	4.00	164

MODEL	MAX MBH	MIN MBH	AFUE	HEATING CAPACITY MBH	SUPPLY/RETURN	EXHAUST/AIR INLET	GAS CONNECTION
80	80	8	96.4	74	1"	3"	3/4"
110	110	11	96.4	100			
150	150	15	95.4	138			
220	220	22	95.2	204			1"

* "N" DENOTES NATURAL GAS "LP" DENOTES PROPANE
ALL DIMENSIONS ARE APPROXIMATE AND ARE SUBJECT TO CHANGE

- EXHAUST VENT CONNECTION ①
- COMBUSTION AIR INLET CONNECTION ②
- ELECTRICAL CONNECTIONS ③
- SYSTEM RETURN ④

- ⑤ SYSTEM SUPPLY
- ⑥ RELIEF VALVE
- ⑦ CONDENSATE CONNECTION
- ⑧ GAS LINE CONNECTION
- ⑨ DISPLAY/CONTROL PANEL



MODEL*	A	B	C	D	E	F	G	H	J	K	L	M	N	O	SHIPPING WEIGHT
299	24.75	17.50	14.50	7.38	3.25	36.50	14.50	4.75	21.00	11.00	7.88	4.63	9.50	3.50	211
301	24.75	17.50	14.50	7.38	3.25	36.50	14.50	4.75	21.00	11.00	7.88	4.63	9.50	3.50	211
399	31.75	24.75	21.50	10.75	3.75	36.00	14.50	4.75	21.00	11.00	7.88	4.63	9.50	3.50	256

MODEL *	MAX MBH	MIN MBH	AFUE	HEATING CAPACITY MBH	SUPPLY/RETURN	EXHAUST/AIR INLET	GAS CONNECTION
299	299	29	94.5	277	1-1/4"	4"	1"
301	301	30	96.1 **	289			
399	399	39	96.5 **	372	1-1/2"		

LP-550-N
10/17/16

* "N" DENOTES NATURAL GAS "LP" DENOTES PROPANE

** THERMAL EFFICIENCY (NOT AFUE)

ALL DIMENSIONS ARE APPROXIMATE AND ARE SUBJECT TO CHANGE

Model		80	110	150	220	299	301	399
Installation		Indoor, Floor Standing or Wall Mount (with Optional Kit), Fully Condensing						
Minimum / Maximum Input (Btu/Hr)		8,000 / 80,000	11,000 / 110,000	15,000 / 150,000	22,000 / 220,000	30,000 / 299,000	30,000 / 301,000	40,000 / 399,000
Heating Capacity (MBH)		74	100	138	204	277	289	385
Flue System		Category IV, Sealed Combustion Direct Vent, Power Vent						
Minimum Combined Vent Run		16 feet						
Maximum Combined Vent Run		3" (200 feet), 4" (275 feet)				4" (200 feet), 6" (275 feet)		
Approved Exhaust Vent Materials		PVC, CPVC, PP, Stainless Steel						
Shipping Weight (lbs)		108	113	126	164	211		256
Gas Supply Pressure	NG	3.5" to 14" WC						
	LP							
Manifold Pressure	Min / Max	NG/LP: -0.01" WC						
Power Supply		120V 60 Hz, 6.3A						
General Operating Conditions		Ambient Temperature Range: 33 – 104°F (0.6 – 40°C) Product Approvals and Requirements: ANSI Z21.13 / CSA 4.9						
Ignition System		Direct Electronic Spark Ignition / Flame Rectification						
Burner System		Premixed Fuel Modulation / Stainless Steel Metal Fiber Burner						
Gas Valve System		Air Ratio Valve						
Dimensions (in Inches)	W	14.5						
	H	27			24.5	36.5		36
	D	18.5		19.5	26.5	24.75		31.75
Boiler Water Content (Gallons)		1.4	1.7	2	2.6	3.1		3.7
Minimum Flow Rate @ 30°F ΔT (GPM)		5.3	7.3	10	14.6	20		26
Boiler Setpoint Temperature Range		50 – 190°F / 32 - 190°F (with Outdoor Reset Curve)						
DHW Indirect Setpoint Temperature Range		70 – 185°F						
Water Pressure (PSI)	Heat Exchanger MAWP	160						
	Pressure Relief Valve	30						
Control Panel / Main Controller		LCD Display with LED Indicators / 928 SIT Control						
Connection Sizes	Supply / Return	1" NPTF				1 1/4" NPTF		1" NPTF
	Gas Inlet	3/4" NPTF			1" NPTF			
Materials	Cabinet	Powder Coated Galvaneal Steel						
	Heat Exchanger	316L Stainless Steel Water Tube						
Safety Devices		Flame Rectifier Probe, Dual Water Supply Temperature Sensor (210°F), Water Pressure High Limit Switch, Freeze Protection, Condensate Pressure Switch, Condensate Trap with Float, Dual Flue Sensor (210°F), Blocked Vent Pressure Switch, Optional External Low Water Cut-Off						

NOTE: HTP reserves the right to make product changes or updates without notice and will not be held liable for typographical errors in literature.