



Phoenix Light Duty Solar Water Heater with Gas-Fired Back-Up

JOB NAME:

LOCATION:

ARCH./ENGR.:

WHOLESALE:

MECH. CONTRACTOR:

MODEL NUMBER:

TYPE OF GAS:

BTU/HR INPUT LOW – HIGH FIRE:

NOTES:

High Efficiency Heat Exchanger

- Copper Nickel heat exchanger
- Gasketless heat exchanger design
- Internal Solar Heat Exchanger provides maximum heat transfer of solar energy

Stainless Steel Tank

- Quality tank construction of 316 L stainless steel
- Auxiliary Port for recirculation line and higher operating efficiency
- Inlet and outlet plumbing connections off the top
- Installed Temperature and Pressure relief valve
- Full port brass drain valve

Combustion System

- Modulating burner with up to 3 to 1 turndown
- 97% thermal efficiency (All Models)
- High-Grade Inconel premix burner
- Spark ignition
- Fires on Natural or LP Gas with included conversion kit
- Flame monitoring
- Flame stabilization monitoring – Automatic adjustment of firing rate to stabilize flame signal

Additional Features

- Vents in 2” PVC - CPVC - stainless steel – ULC S636 flexible polypropylene vent liner (chimney lining only)
- Vents up to 150 combined equivalent feet
- Built –in cartridge neutralizer condensation system
- Manual reset high limit
- Included High Output Cold Water Dip Tube
- Lead Free Compliant, as required by the Safe Drinking Water Act, Section 1417

Integrated Control System

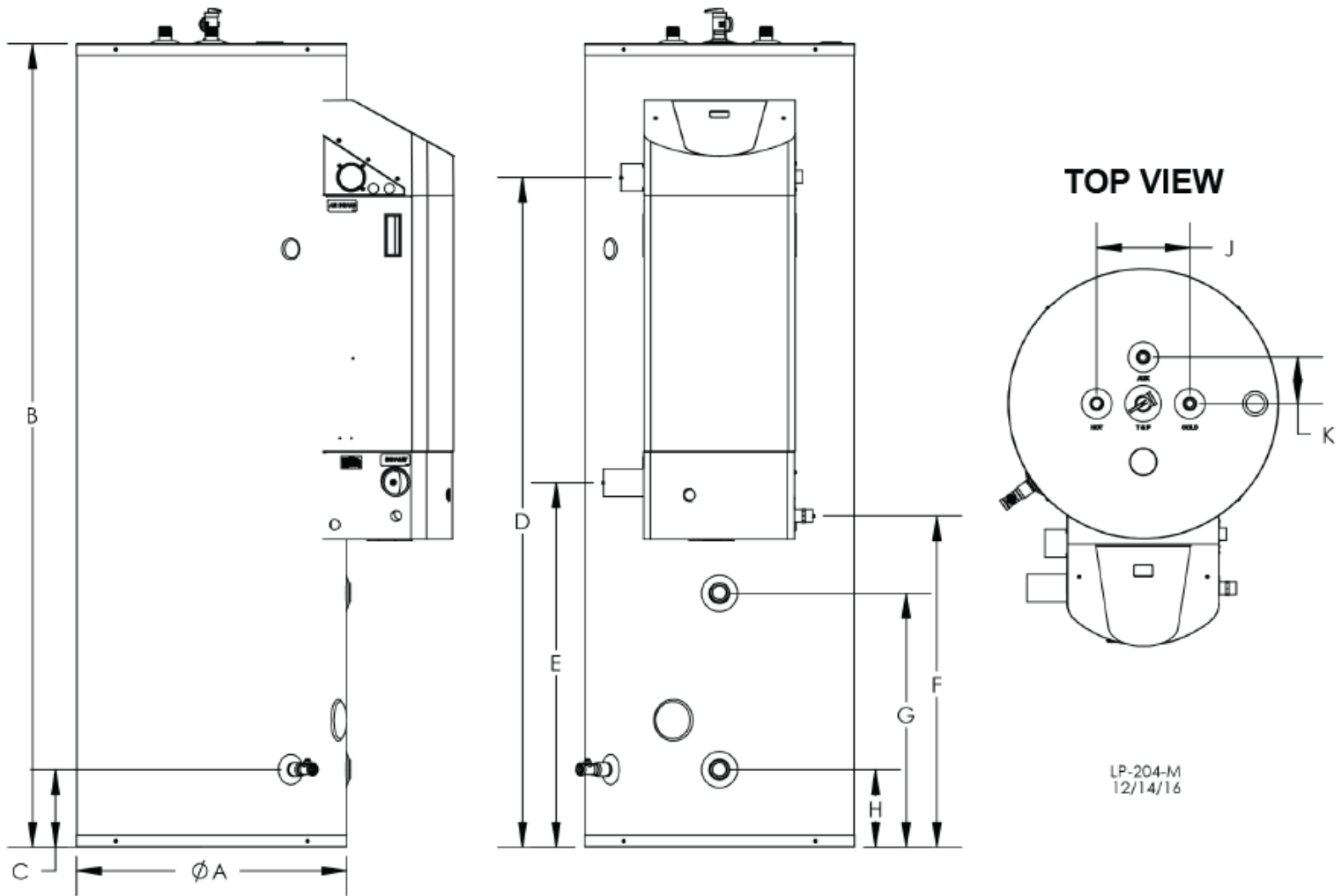
- Digital operating control with LCD display three character for temperature and system monitor - LCD indicators for appliance faults
- Outdoor reset
- 120 volt 5 amp electrical connection for condensate pump
- Outdoor sensor input
- High Limit protection monitoring
- Flue sensor monitoring

Optional Equipment

- Outdoor Sensor (Part # 7250P-319)
- 2” PVC Concentric Vent Kit (Part # KGAVT0501CVT)
- 3” PVC Concentric Vent Kit (Part # KGAVT0601CVT)
- 2” Stainless Steel Outside Termination Vent Kit (Part # V500)
- 3” Stainless Steel Outside Termination Vent Kit (Part # V1000)
- 4” Stainless Steel Outside Termination Vent Kit (Part # V3000)
- Condensate Neutralizer (Part # 7450P-212)
- PC Connection Cable w / Software (Part # 7250P-738)

Certifications

- ETL Listed
- SRCC OG-300 Certified Systems Available
- NSF Listed
- Low NOx emissions – SCAQMD Certified



PHOENIX LD SOLAR WATER HEATER											
MODELS*	GAL.	A	B	C	D	E	F	G	H	J	K
PH76-80S	75	23"	69"	6-3/4"	57-1/4"	31-1/4"	28-1/4"	21-3/4"	6-1/2"	8"	4"

PHOENIX LD SOLAR WATER HEATER SPECIFICATIONS									
MODELS	GAL.	BTU'S	AIR INTAKE/ EXHAUST VENT SIZE	WATER INLET/ OUTLET SIZE	HEAT EXCHANGER SIZE	GAS LINE CONN.	SYSTEM RELIEF PIPE SIZE	SHIPPING WEIGHT	
PH76-80S	75	76,000	2"	3/4" NPT	1"	3/4"	3/4"	245 LBS.	

* MODEL NUMBER MAY HAVE A SUFFIX DESIGNATION OF "LP" FOR PROPANE GAS

ALL DIMENSIONS ARE APPROXIMATE

PERFORMANCE SPECIFICATIONS FOR PHOENIX LIGHT DUTY MODELS

BTUH	Efficiency	Temperature Rise in Degrees Fahrenheit											
		(°F)	40	50	60	70	80	90	100	110	120	130	140
		(°C)	22	28	33	39	44	50	56	61	67	72	78
76,000	97%	GPH	231	187	158	135	119	107	97	86	79	73	69
		LPH	874	708	598	511	450	405	367	326	299	276	261

Recovery on rating plate is based at 97% thermal efficiency at 70° Fahrenheit rise, as required by ANSI