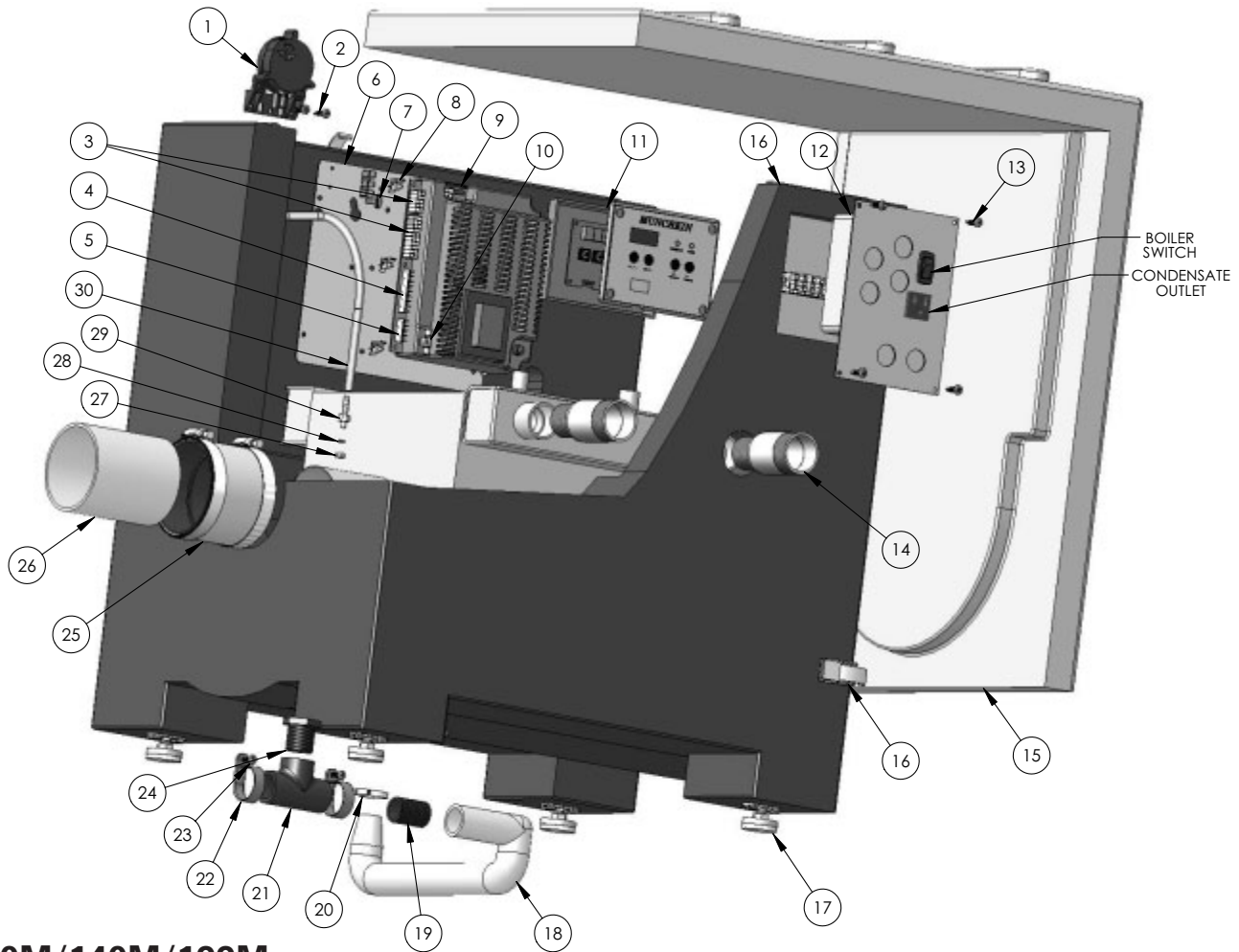


PART 15: MAINTENANCE (CONTINUED)



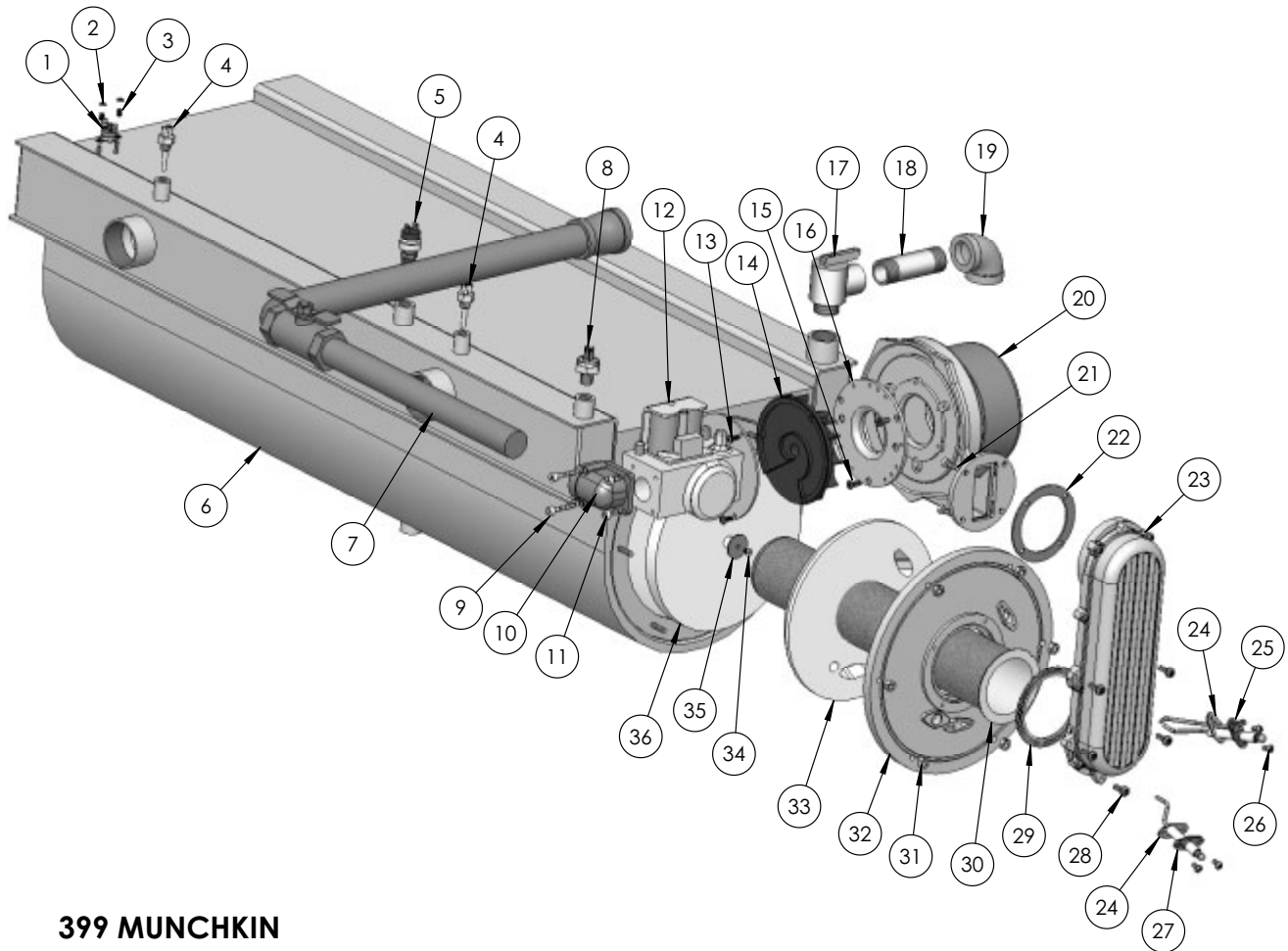
80M/140M/199M

REPLACEMENT PARTS					
Item #	Description	Part #	Item #	Description	Part #
1	Blocked Vent Pressure Switch	7250P-150	16	Cabinet Latch and Gasket Kit (w/Screws)	7250P-671
2	Screws #8 x 1/2" (Blocked Vent Pressure Switch)	7250P-133	17	Leveling Foot	7250P-673
3	Low Voltage Wiring Harness (location)	7250P-700	18	Condensate Hose Assy	7250P-724
4	9 Pin Wiring Harness (location)	7250P-697	19	PVC Nipple Sch. 80 3/4 NPT (Condensate Assy)	7250P-648
5	5 Pin Wiring Harness (location)	7250P-696	20	Hose Clamp (Condensate Assy)	7250P-210
6	Control Board Mounting Panel (w/Screws)	7250P-651	21	PVC Tee Sch. 40 3/4 NPT (Condensate Assy)	7250P-646
7	Screw 1/4-20 x 1/2" (Control Board Mounting Panel)	7250P-184	22	Cable Clamp (Condensate Assy)	7250P-649
8	Control Board Hold Down Clips	7250P-352	23	Screw #8 x 1/2 Self Tapping (Condensate Assy)	7250P-133
9	Control Board (w/Fuse)	7350P-008	24	Poly Plug 3/4 NPT (Condensate Assy)	7250P-647
10	Fuse (Control Board)	7250P-378	25	Band Clamp (Exhaust Assy)	CA2000
11	Control Board Display (w/Ribbon Cable)	7250P-091	26	PVC Pipe Sch. 40 3" (Exhaust Assy)	7250P-242
12	Electrical Box (w/Screws)	7250P-707	27	S.S. Hex Nut 10-32 (Blocked Vent Pressure Switch)	7250P-153
13	Screws #8 x 1/2" Self Tapping (Electrical Box)	7250P-133	28	O-Ring 007 (Blocked Vent Pressure Switch)	7250P-152
14	Brass Nipple 1 x 1-1/4 x 3-3/4"	7250P-221	29	Hose Barb 1/4 x 10-32 (Blocked Vent Pressure Switch)	7250P-154
15	Cabinet Cover	7250P-235 (80M)	30	Plastic Tubing 3/16" ID (Blocked Vent Pressure Switch)	7000P-805
		7250P-231 (140M/199M)			

Fig. 15-2

LP-61-CC
REV. 3/10/08

PART 15: MAINTENANCE (CONTINUED)



399 MUNCHKIN

REPLACEMENT PARTS					
Item #	Description	Part #	Item #	Description	Part #
1	Thermodisc Flue ECO 210°F	7250P-089	19	Brass 90° Elbow - 3/4" NPT	7250P-313
2	Steel Push Retainer (Thermodisc Flue ECO)	7250P-151	20	Combustion Blower (w/Gasket)	7250P-518
3	PVC Black Tubing 1/8 ID (Thermodisc Flue ECO)	7250P-311	21	Screws M5 x 12MM (Combustion Blower)	7250P-478
4	Thermistor	7250P-667	22	Gasket (Air/Gas Channel to Combustion Blower)	7500P-075
5	Water Pressure Switch	7250P-096	23	Air/Gas Channel	7250P-687
6	Welded Module	7250P-623	24	Gasket (Flame Rec./Spark Electrode)	7250P-005
7	Gas Valve Piping Assembly	7250P-706	25	Spark Electrode (w/Gasket)	7350P-020
8	Eco/High Limit Sensor	7250P-019	26	Screws M4 x 8MM (Probe/Electrode)	7250P-069
9	Screws M5 x 30MM Allen Head	N/A	27	Flame Rectification Probe (w/Gasket)	7250P-049
10	Right Angle Connector	7250P-723	28	Screws Torx M5 x 22MM (Air/Gas Channel to Burner Door)	7250P-206
11	Screws M5 x 12MM Allen Head	N/A	29	Gasket (Air/Gas Channel to Burner)	7500P-074
12	Dungs Gas Valve Assembly	7250P-710	30	NIT Burner	7250P-703
13	Screws M4 x 30MM Round Head (Gas Valve)	7250P-670	31	Nuts M6 (Burner Door)	7500P-067
14	Swirl Plate - Blk	7250P-712	32	Burner Door	7250P-684
15	Screws M5 x 12MM Flat Head (Adapter Plate)	7500P-105	33	Burner Door Ceramic Refractory	7250P-702
16	Gas Valve Adapter Plate	7250P-711	34	Screw M4 x 8MM (Ceramic Target Wall)	7250P-704
17	Relief Valve	7250P-080	35	Washer M4 (Ceramic Target Wall)	7500P-109
18	Brass Nipple - 3/4 NPT x 3"	SN1018	36	Ceramic Target Wall	7250P-160