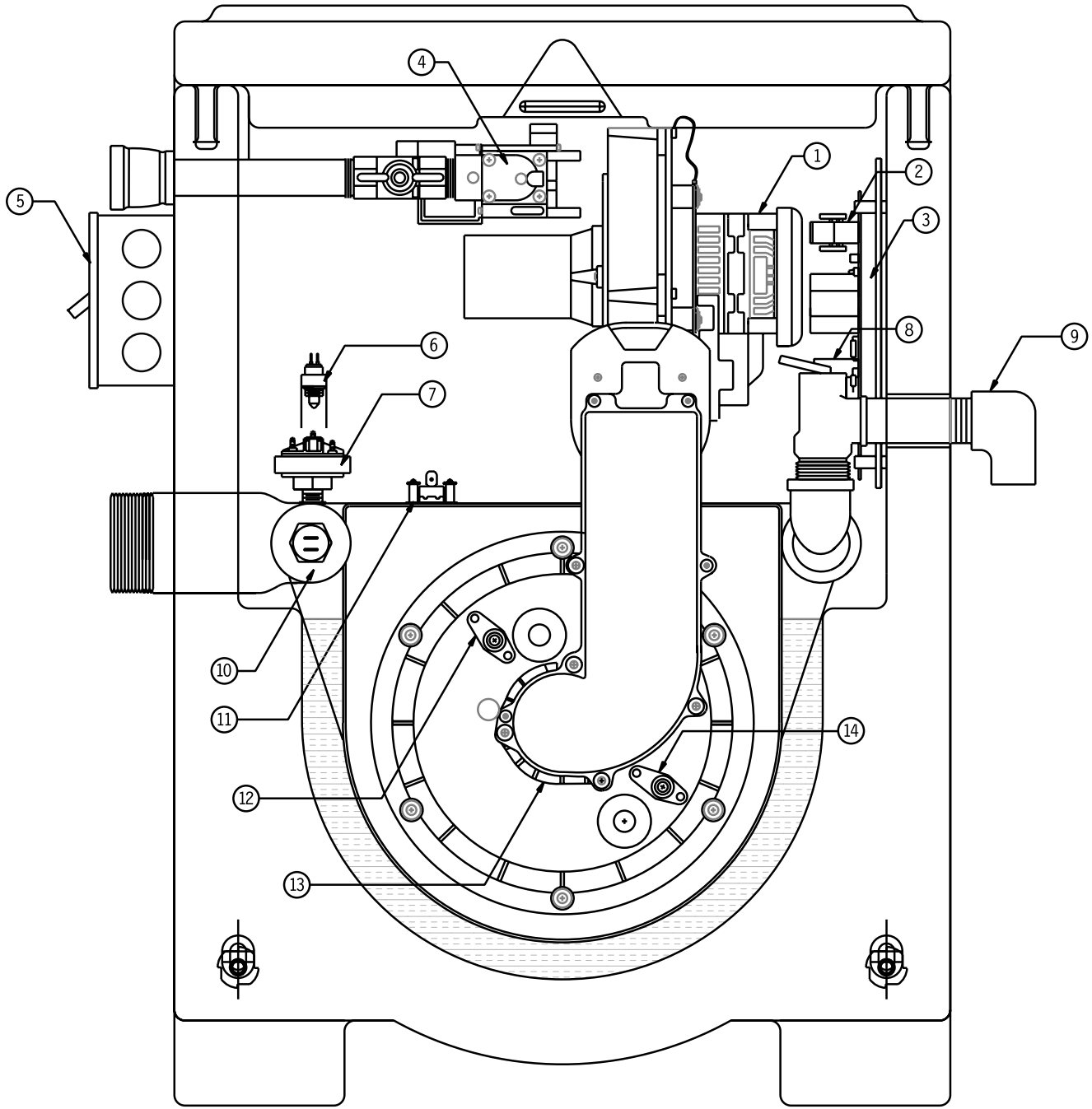


COMPONENTS DIAGRAM



- 1. BLOWER (80M - 7250P-085)
(140M - 7250P-086)
(199M - 7250P-087)
- 2. TRANSFORMER (7250P-022)
- 3. BOARD (80M - 7250P-009)
(140M - 7250P-014)
(199M - 7250P-015)
- 4. GAS VALVE (7250P-038)
- 5. ELECTRICAL SWITCH BOX
- 6. THERMISTOR (7250P-059)
- 7. WATER PRESSURE SWITCH (7250P-081)
- 8. AIR PRESSURE SWITCH (7250P-147)
- 9. T & P VALVE (7250P-080)
- 10. ECO WATER (7250P-019)
- 11. THERMODISC TEMP. SWITCH (7250P-019)
210 DEGREE (7250P-089)
- 12. SPARK ELECTRODE (7250P-058)
- 13. BURNER (80M - 7250P-042)
(140M - 7250P-043)
(199M - 7250P-044)
- 14. RECTIFIER (7250P-049)