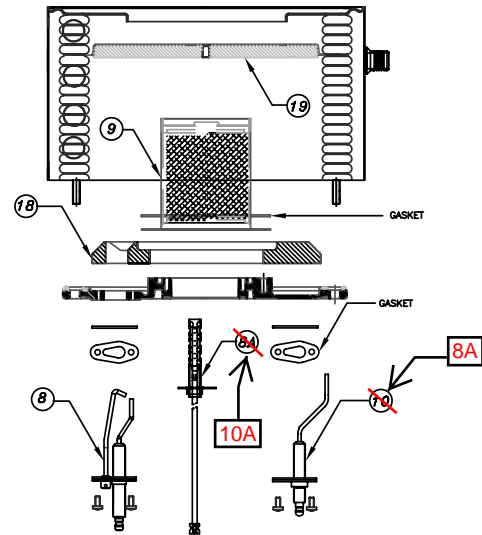


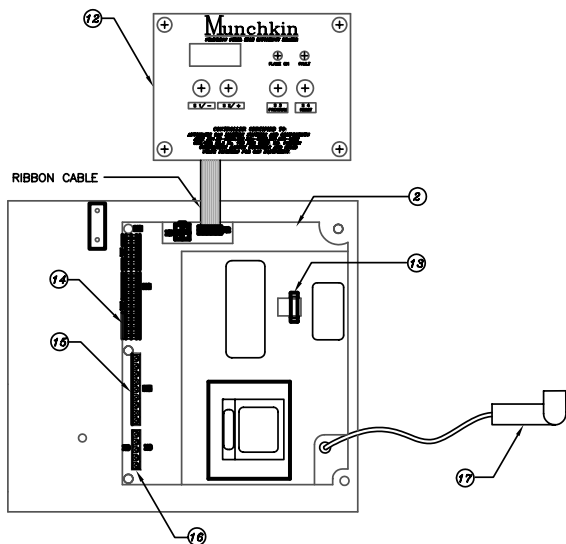
** THE LOCATION OF THE HOT SURFACE IGNITOR AND FLAME RECTIFICATION PROBE IS REVERSED FOR ALL HA MODELS

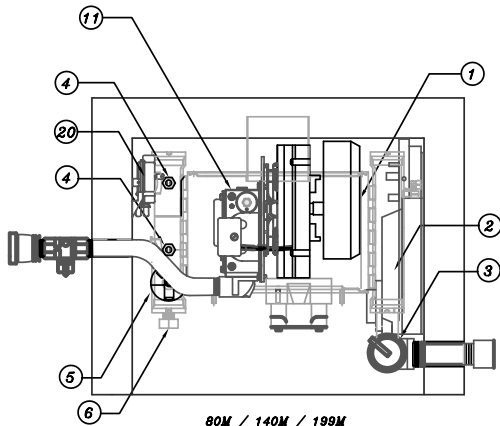


**COMPONENTS ASSEMBLY
T50M/T80M REPLACEMENT PARTS**

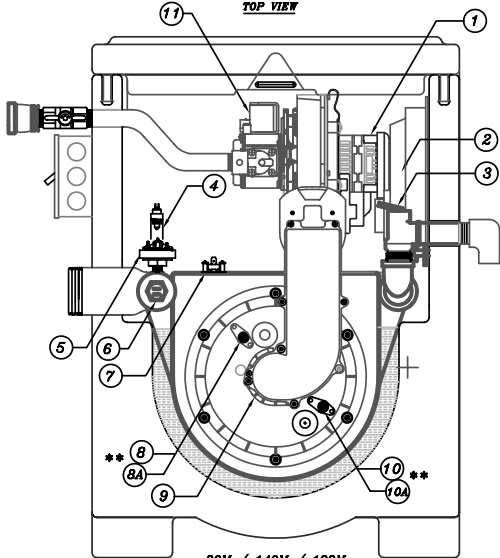
1. BLOWER MOTOR (INCLUDES GASKET)	7250P-085
* 2. 925 CONTROL BOARD (INCLUDES TRANSFORMER)	7250P-317*
3. RELIEF VALVE	7250P-080
4. THERMISTOR INLET/OUTLET	7250P-059
5. WATER PRESSURE SWITCH	7250P-081
6. ECO HIGH LIMIT	7250P-019
7. THERMODISC FLUE ECO - 210° F	7250P-089
8. SPARK ELECTRODE (INCLUDES GASKET)	7250P-421 (T50M) 7250P-058 (T80M)
** 8A. FLAME RECTIFICATION PROBE (THIS LOCATION FOR HA MODELS ONLY)	7250P-049
9. BURNER (NIT) (INCLUDES GASKET)	7250P-216 (T50M) 7250P-248 (T80M)
10. FLAME RECTIFICATION PROBE (INCLUDES GASKET)	7250P-049
** 10A. HOT SURFACE IGNITOR (THIS LOCATION FOR HA MODELS ONLY)	7250P-279
11. GAS VALVE (DUNGS)	7250P-448 (T50M) 7250P-449 (T80M)
12. CONTROL DISPLAY BOARD (INCLUDES RIBBON CABLE)	7250P-332
13. CONTROL BOARD FUSE (110 VOLT, 6.3 AMPS)	7250P-378
14. WIRING HARNESS LOW VOLTAGE (10 PIN/20 PIN)	7250P-376
15. WIRING HARNESS (9 PIN, 120 VOLT)	7250P-387 (T50M/T80M) 7250P-386 (T50M HA/T80M HA)
16. WIRING HARNESS (5 PIN, 120 VOLT)	7250P-390
17. SPARK CABLE (NOT REQUIRED ON HA MODELS)	7250P-392
18. MOLDED CERAMIC REFRACTORY	7250P-161
19. CERAMIC TARGET WALL	7250P-160

* PLEASE SPECIFY MODEL AND SERIAL # OF UNIT WHEN ORDERING 925 CONTROL BOARDS.



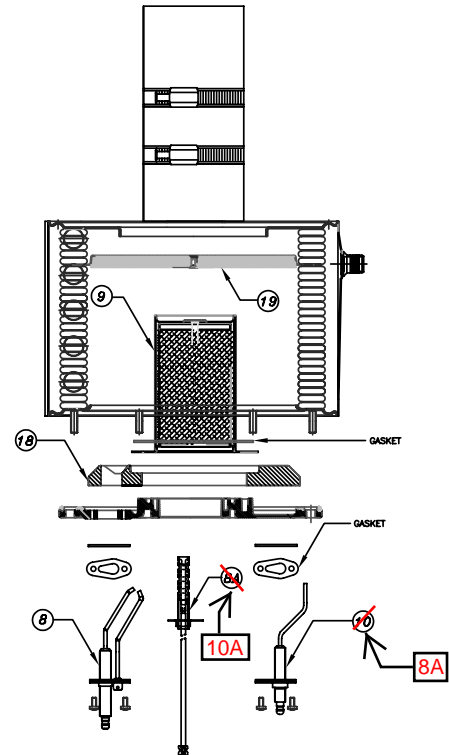


80M / 140M / 199M
MUNCHKIN ASSEMBLY
TOP VIEW



80M / 140M / 199M
MUNCHKIN ASSEMBLY
FRONT VIEW

** THE LOCATION OF THE HOT SURFACE IGNITOR AND FLAME RECTIFICATION PROBE IS REVERSED FOR ALL HA MODELS

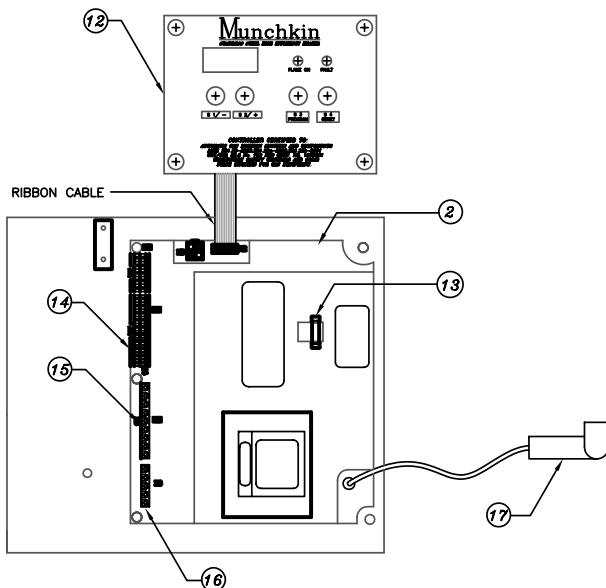


80M / 140M / 199M
BURNER ASSEMBLY

COMPONENTS ASSEMBLY
80M/140M/199M REPLACEMENT PARTS

- | | |
|--|---|
| 1. BLOWER MOTOR
(INCLUDES GASKET) | 7250P-085 (80M)
7250P-086 (140M)
7250P-087 (199M) |
| * 2. 925 CONTROL BOARD
(INCLUDES TRANSFORMER) | 7250P-317 |
| 3. RELIEF VALVE | 7250P-080 |
| 4. THERMISTOR INLET/OUTLET | 7250P-059 |
| 5. WATER PRESSURE SWITCH | 7250P-081 |
| 6. ECO HIGH LIMIT | 7250P-019 |
| 7. THERMODISC FLUE ECO - 210° F | 7250P-089 |
| 8. SPARK ELECTRODE
(INCLUDES GASKET) | 7250P-058 |
| ** 8A. FLAME RECTIFICATION PROBE
(THIS LOCATION FOR HA MODELS ONLY) | 7250P-049 |
| 9. BURNER (NIT)
(INCLUDES GASKET) | 7250P-248 (80M)
7250P-249 (140M)
7250P-250 (199M) |
| 10. FLAME RECTIFICATION PROBE
(INCLUDES GASKET) | 7250P-049 |
| ** 10A. HOT SURFACE IGNITOR
(THIS LOCATION FOR HA MODELS ONLY) | 7250P-279 |
| 11. GAS VALVE (DUNGS) | 7250P-450 (80M)
7250P-451 (140M)
7250P-452 (199M) |
| 12. CONTROL DISPLAY BOARD
(INCLUDES RIBBON CABLE) | 7250P-332 |
| 13. CONTROL BOARD FUSE
(110 VOLT, 6.3 AMPS) | 7250P-378 |
| 14. WIRING HARNESS LOW VOLTAGE
(10 PIN/20 PIN) | 7250P-385 (80M)
7250P-391 (140M/199M) |
| 15. WIRING HARNESS
(9 PIN, 120 VOLT) | 7250P-388 (80M)
7250P-387 (140M/199M)
7250P-389 (80M HA)
7250P-386 (140M HA/199M HA) |
| 16. WIRING HARNESS
(5 PIN, 120 VOLT) | 7250P-390 |
| 17. SPARK CABLE
(NOT REQUIRED ON HA MODELS) | 7250P-392 |
| 18. MOLDED CERAMIC REFRACTORY | 7250P-161 |
| 19. CERAMIC TARGET WALL | 7250P-160 |
| 20. BLOCKED VENT PRESSURE SWITCH | 7250P-150 |

* PLEASE SPECIFY MODEL AND SERIAL # OF UNIT WHEN ORDERING 925 CONTROL BOARDS.



925 CONTROL BOARD ASSEMBLY