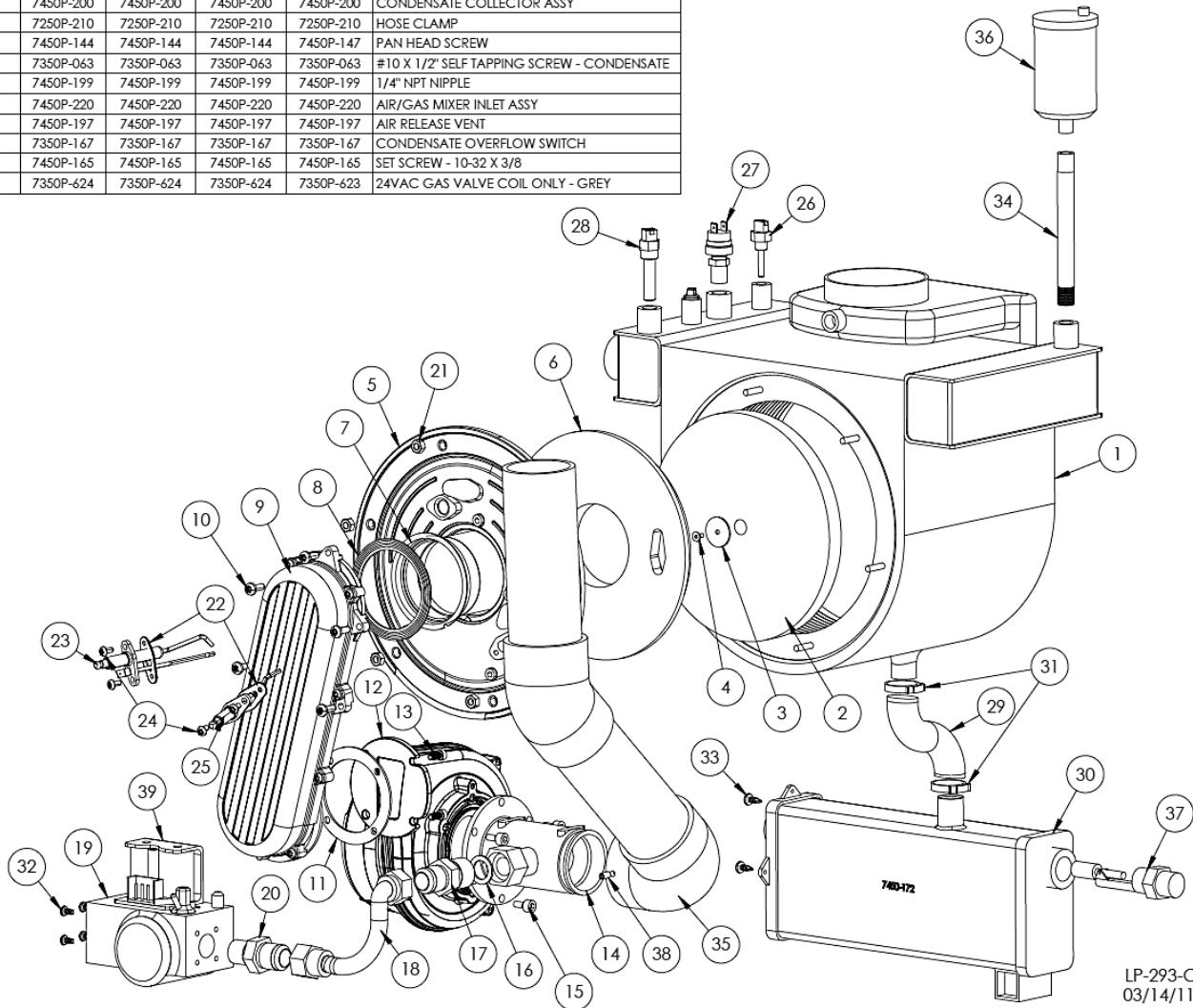


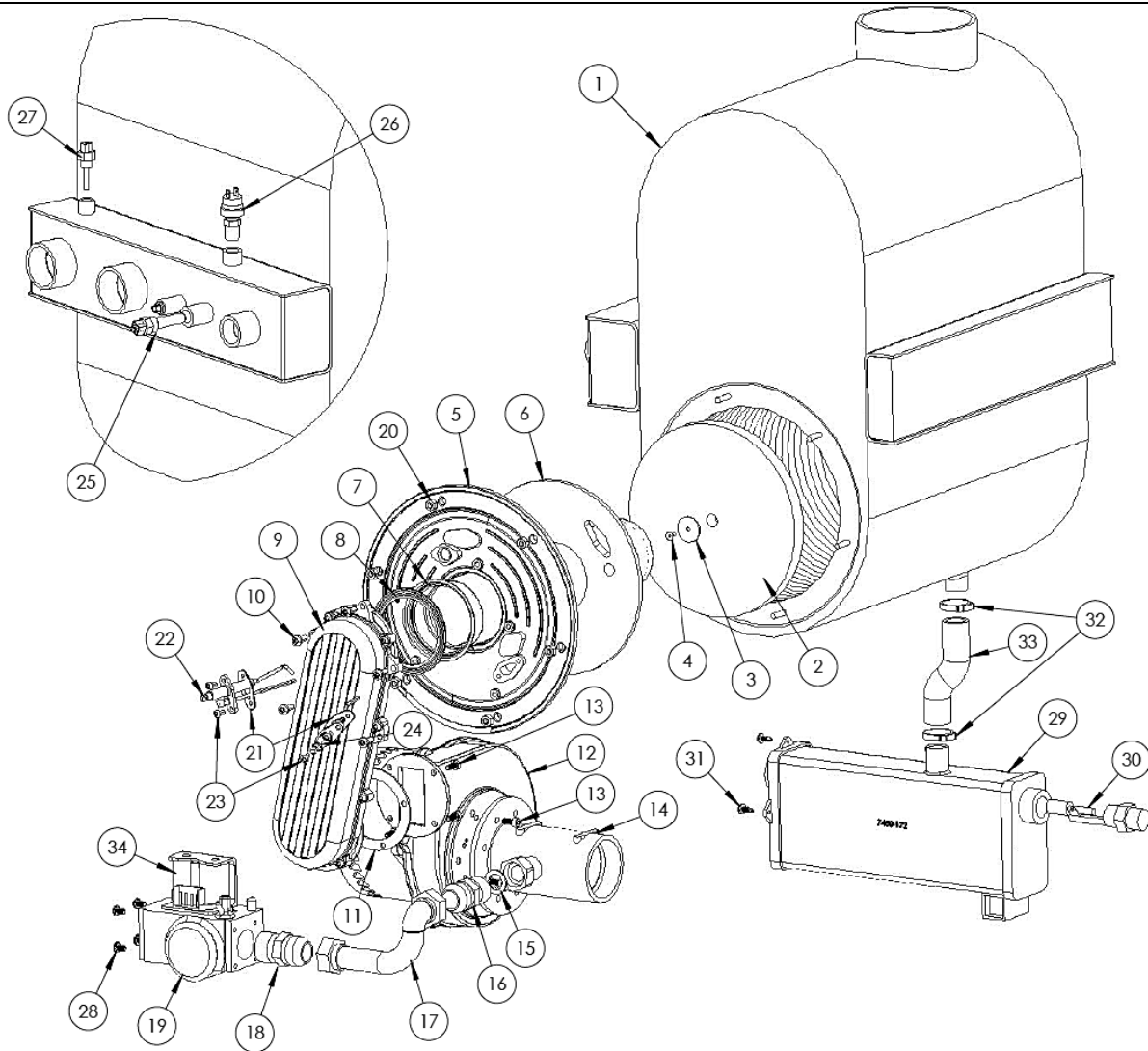
ITEM #	EL-80	EL-110	EL-150	EL-220	Description
1	7450P-001	7450P-002	7450P-003	7450P-004	BOILER MODULE
2	7250P-160	7250P-160	7250P-160	7250P-160	CERAMIC TARGET WALL
3	7500P-109	7500P-109	7500P-109	7500P-109	M4 FLAT WASHER
4	7250P-704	7250P-704	7250P-704	7250P-704	M4 X 8 FLAT HEAD SCREW
5	7450P-006	7450P-006	7450P-006	7450P-006	BURNER DOOR
6	7450P-005	7450P-005	7450P-005	7450P-005	BURNER DOOR INSULATION
7	7450P-009	7450P-010	7450P-011	7450P-012	BURNER
8	7500P-074	7500P-074	7500P-074	7500P-074	GASKET - BURNER
9	7450P-008	7450P-008	7450P-007	7450P-007	AIR CHANNEL
10	7250P-206	7250P-206	7250P-206	7250P-206	M5 X 14MM TORX SCREWS - AIR CHANNEL
11	7500P-075	7500P-075	7500P-075	7500P-075	GASKET - AIR CHANNEL/BLOWER
12	7500P-031	7500P-031	7500P-031	7350P-159	COMBUSTION BLOWER
13	7250P-478	7250P-478	7250P-478	7250P-478	M5 X 12MM SOCKET CAP SCREW
14	7450P-022	7450P-023	7450P-024	7450P-024	AIR/GAS MIXER
15	7450P-141	7450P-141	7450P-141	7500P-099	SCREWS - AIR/GAS MIXER
16	7450P-115	7450P-115	7450P-115	7450P-115	WASHER - AIR/GAS MIXER
17	7450P-139	7450P-139	7450P-139	7450P-138	FLARE X BSP FITTING
18	7100P-140	7100P-140	7100P-140	7450P-140	FLEXIBLE GAS LINE
19	7450P-025	7450P-025	7450P-025	7350P-033	GAS VALVE
20	7450P-154	7450P-154	7450P-154	7450P-143	FLARE X NPT FITTING
21	7500P-067	7500P-067	7500P-067	7500P-067	M6 NUT - BURNER DOOR
22	7250P-005	7250P-005	7250P-005	7250P-005	GASKET - PROBE/ELECTRODE
23	7350P-020	7350P-020	7350P-020	7350P-020	SPARK ELECTRODE (W/GASKET)
24	7250P-069	7250P-069	7250P-069	7250P-069	SCREW M4 X 8MM - PROBE/ELECTRODE
25	7350P-022	7350P-022	7350P-022	7350P-022	FLAME RECTIFICATION PROBE (W/GASKET)
26	7250P-667	7250P-667	7250P-667	7250P-667	THERMISTOR
27	7250P-096	7250P-096	7250P-096	7250P-096	WATER PRESSURE SWITCH - NPT THREAD
28	7450P-192	7450P-192	7450P-192	7450P-192	THERMISTOR/WATER TEMP SWITCH
29	7450P-185	7450P-185	7500P-057	7500P-057	CONDENSATE HOSE
30	7450P-200	7450P-200	7450P-200	7450P-200	CONDENSATE COLLECTOR ASSY
31	7250P-210	7250P-210	7250P-210	7250P-210	HOSE CLAMP
32	7450P-144	7450P-144	7450P-144	7450P-147	PAN HEAD SCREW
33	7350P-063	7350P-063	7350P-063	7350P-063	#10 X 1/2" SELF TAPPING SCREW - CONDENSATE
34	7450P-199	7450P-199	7450P-199	7450P-199	1/4" NPT NIPPLE
35	7450P-220	7450P-220	7450P-220	7450P-220	AIR/GAS MIXER INLET ASSY
36	7450P-197	7450P-197	7450P-197	7450P-197	AIR RELEASE VENT
37	7350P-167	7350P-167	7350P-167	7350P-167	CONDENSATE OVERFLOW SWITCH
38	7450P-165	7450P-165	7450P-165	7450P-165	SET SCREW - 10-32 X 3/8
39	7350P-624	7350P-624	7350P-624	7350P-623	24VAC GAS VALVE COIL ONLY - GREY



LP-293-C
03/14/11

Figure 33

LP-293-N
01/25/11



Item No	EL-299	EL-399	Description	Item No	EL-299	EL-399	Description
1	7450P-014	7450P-015	BOILER MODULE	19	7350P-033	7350P-033	GAS VALVE
2	7250P-160	7250P-160	CERAMIC TARGET WALL	20	7500P-067	7500P-067	M6 NUT - BURNER DOOR
3	7500P-109	7500P-109	M4 FLAT WASHER - TARGET WALL	21	7250P-005	7250P-005	GASKET - PROBE/ELECTRODE
4	7250P-704	7250P-704	M4 X 8 FLAT HEAD SCREW - TARGET WALL	22	7350P-020	7350P-020	SPARK ELECTRODE (w/GASKET)
5	7450P-006	7450P-006	BURNER DOOR	23	7250P-069	7250P-069	SCREW M4 X 8MM - PROBE/ELECTRODE
6	7450P-005	7450P-005	BURNER DOOR INSULATION	24	7350P-022	7350P-022	FLAME RECTIFICATION PROBE (w/GASKET)
7	7350P-031	7350P-031	BURNER - GCFI	25	7450P-192	7450P-192	THERMISTOR/WATER TEMP SWITCH
8	7500P-074	7500P-074	GASKET - BURNER	26	7250P-096	7250P-096	WATER PRESSURE SWITCH - NPT THREAD
9	7450P-007	7450P-007	AIR CHANNEL	27	7250P-667	7250P-667	THERMISTOR
10	7250P-206	7250P-206	M5 X 14MM TORX SCREWS - AIR CHANNEL	28	7450P-147	7450P-147	M5 X 8MM PAN HEAD SCREW - GAS VALVE
11	7500P-075	7500P-075	GASKET - AIR CHANNEL/BLOWER	29	7450P-200	7450P-200	CONDENSATE COLLECTOR ASSY
12	7350P-159	7350P-159	COMBUSTION BLOWER	30	7500P-041	7500P-041	CONDENSATE OVERFLOW SWITCH
13	7250P-478	7450P-478	M5 X 12MM SOCKET CAP SCREW - MIXER/BLOWER	31	7350P-063	7350P-063	#10 x 1/2" SELF TAPPING SCREW - CONDENSATE
14	7450P-029	7450P-029	AIR GAS MIXER	32	7250P-210	7250P-210	HOSE CLAMP
15	7450P-115	7450P-115	WASHER - AIR/GAS MIXER	33	7500P-057	7500P-057	CONDENSATE HOSE
16	7450P-138	7450P-138	FLARE X BSP FITTING	34	7350P-623	7350P-623	24VAC GAS VALVE COIL ONLY - GREY
17	7450P-140	7450P-140	FLEXIBLE GAS LINE				
18	7450P-143	7450P-143	FLARE X NPT FITTING				

Figure 34

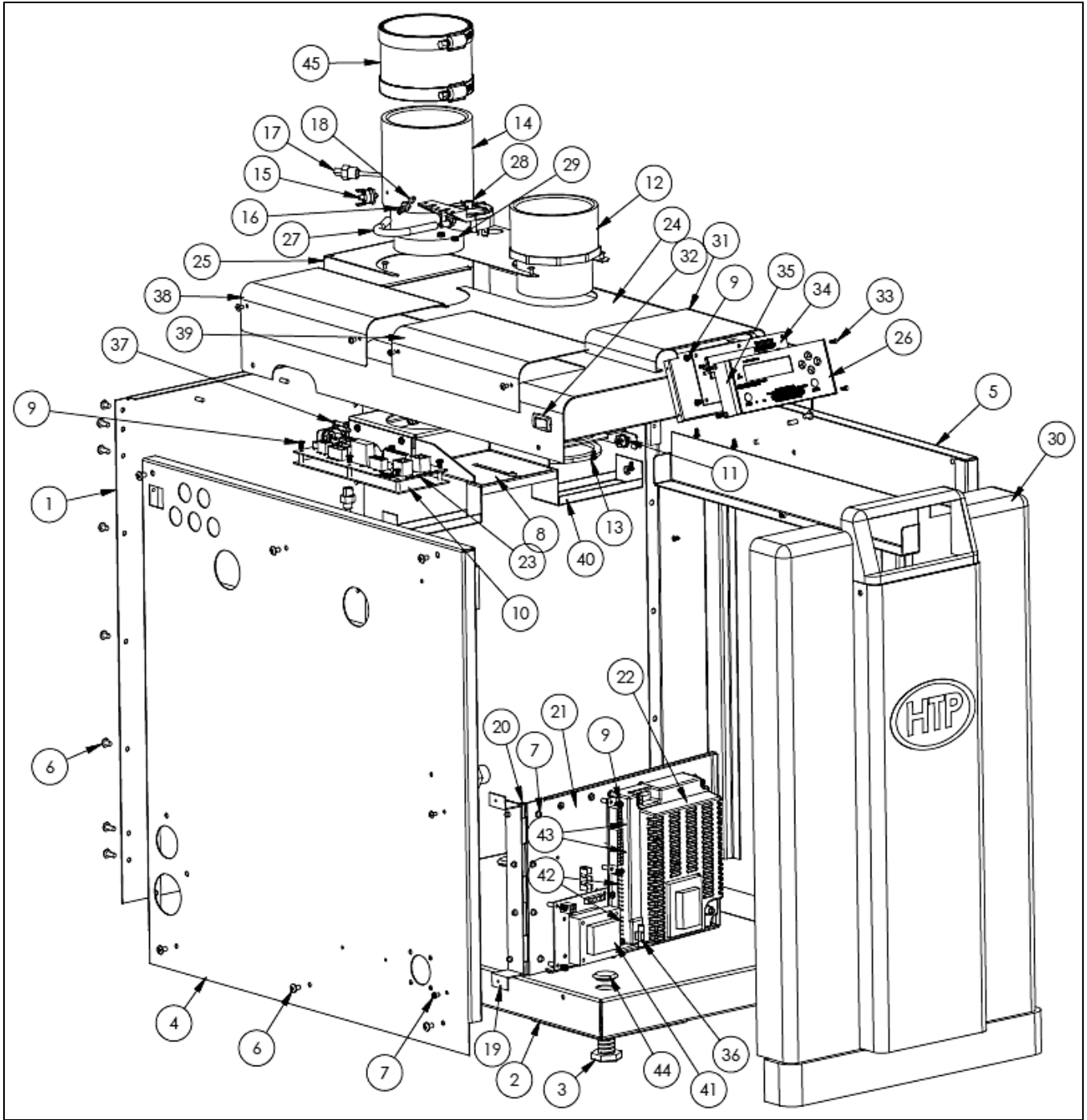


Figure 35 – LP-293-A

NOTE: Parts listed on the following page.

ITEM#	EL-80	EL-110	EL-150	EL-220	EL-299	EL-399	DESCRIPTION
1	7450P-039	7450P-039	7450P-039	7450P-039	7450P-065	7450P-065	JACKET - REAR
2	7450P-055	7450P-055	7450P-056	7450P-038	7450P-064	7450P-068	JACKET - BOTTOM
3	7450P-121	7450P-121	7450P-121	7450P-121	7450P-121	7450P-121	LEVELING FEET
4	7450P-057	7450P-059	7450P-060	7450P-036	7450P-061	7450P-066	JACKET - LEFT SIDE
5	7450P-058	7450P-123	7450P-062	7450P-037	7450P-063	7450P-067	JACKET - RIGHT SIDE
6	7450P-080	7450P-080	7450P-080	7450P-080	7450P-080	7450P-080	10-32 X 5/16 PAN HEAD SCREW - JACKET
7	7450P-081	7450P-081	7450P-081	7450P-081	7450P-081	7450P-081	6-32 X 1/4 PAN HEAD SCREW - ACCESSORIES
8	7450P-074	7450P-074	7450P-074	7450P-074	7450P-075	7450P-075	AIR/EXHAUST SUPPORT PLATE
9	7500P-115	7500P-115	7500P-115	7500P-115	7500P-115	7500P-115	6-32 X 1/4 PAN HEAD SCREW - ELECTRONIC BOARDS
10	7450P-178	7450P-178	7450P-178	7450P-178	N/A	N/A	FIELD CONNECTION BOARD PLATE
11	7450P-088	7450P-088	7450P-088	7450P-088	7450P-088	7450P-088	8-32 FLANGED NUT - AIR EXHAUST PLATE
12	7450P-030	7450P-030	7450P-030	7450P-030	7450P-031	7450P-031	AIR INLET ADAPTER
13	7450P-032	7450P-032	7450P-032	7450P-032	7450P-033	7450P-033	AIR INLET CONNECTOR NUT
14	7450P-201	7450P-201	7450P-201	7450P-201	7450P-202	7450P-202	EXHAUST ADAPTER
15	7250P-739	7250P-739	7250P-739	7250P-739	7250P-739	7250P-739	ECO FLUE SWITCH - 160 DEGREES
16	7250P-154	7250P-154	7250P-154	7250P-154	7250P-154	7250P-154	S.S. BARBED FITTING - 1/4 HOSE X 10-32
17	7450P-026	7450P-026	7450P-026	7450P-026	7450P-026	7450P-026	FLUE THERMISTOR
18	7250P-152	7250P-152	7250P-152	7250P-152	7250P-152	7250P-152	SILICONE O-RING 2-007 - BARBED FITTING
19	7450P-079	7450P-079	7450P-079	7450P-079	7450P-079	7450P-079	HINGE BRACKET
20	7450P-091	7450P-091	7450P-091	7450P-091	7450P-091	7450P-091	HINGE
21	7450P-132	7450P-132	7450P-132	7450P-132	7450P-132	7450P-132	CONTROL BOARD DOOR W/HINGE
22	7450P-122	7450P-122	7450P-122	7450P-122	7450P-122	7450P-122	926 CONTROL BOARD
23	7350P-070	7350P-070	7350P-070	7350P-070	7350P-070	7350P-070	FIELD CONNECTION BOARD
24	7450P-040	7450P-040	7450P-041	7450P-042	7450P-043	7450P-044	JACKET - TOP COVER FRONT
25	7450P-072	7450P-072	7450P-099	7450P-099	7450P-073	7450P-073	JACKET - TOP COVER BACK
26	7450P-021	7450P-021	7450P-021	7450P-021	7450P-021	7450P-021	MEMBRANE TOUCHPAD
27	7000P-805	7000P-805	7000P-805	7000P-805	7000P-805	7000P-805	PLASTIC TUBING - 3/16 OD - BLOCKED VENT PRESSURE SWITCH
28	7250P-150	7250P-150	7250P-150	7250P-150	7250P-150	7250P-150	BLOCKED VENT PRESSURE SWITCH
29	7450P-142	7450P-142	7450P-142	7450P-142	7450P-142	7450P-142	6-32 FLANGED NUT - BLOCKED VENT PRESSURE SWITCH
30	7450P-046	7450P-046	7450P-046	7450P-046	7450P-051	7450P-051	JACKET - FRONT COVER ASSY
31	7450P-045	7450P-045	7450P-045	7450P-045	7450P-045	7450P-045	JACKET - TOP COVER INSERT
32	7500P-087	7500P-087	7500P-087	7500P-087	7500P-087	7500P-087	POWER SWITCH
33	7450P-092	7450P-092	7450P-092	7450P-092	7450P-092	7450P-092	6-32 FLAT HEAD SCREW - ACCESSORIES
34	7450P-028	7450P-028	7450P-028	7450P-028	7450P-028	7450P-028	DISPLAY BOARD
35	7450P-018	7450P-018	7450P-018	7450P-018	7450P-018	7450P-018	MEMBRANE SWITCH BRACKET
36	7250P-378	7250P-378	7250P-378	7250P-378	7250P-378	7250P-378	FUSE - CONTROL BOARD - 6.3 AMPS
37	7350P-129	7350P-129	7350P-129	7350P-129	7350P-129	7350P-129	FUSE - CONNECTION BOARD - 3.15 AMPS
38	7450P-160	7450P-160	7450P-160	7450P-160	7450P-160	7450P-160	FIELD CONNECTION BOARD COVER
39	N/A	N/A	N/A	7450P-061	N/A	N/A	BOILER ACCESS COVER
40	7450P-076	7450P-076	7450P-076	7450P-076	7450P-077	7450P-077 (2)	MODULE HOLD-DOWN STRAP
41	N/A	N/A	N/A	7450P-221	7450P-221	7450P-221	TRANSFORMER ASSEMBLY
42	7450P-204	7450P-204	7450P-204	7450P-208	7450P-209	7450P-210	120V WIRING HARNESS (NOT SHOWN)
43	7450P-203	7450P-203	7450P-203	7450P-205	7450P-206	7450P-207	LOW VOLTAGE WIRING HARNESS (NOT SHOWN)
44	7450P-226	7450P-226	7450P-226	7450P-226	7450P-226	7450P-226	7/8 HOLE PLUG
45	7450P-282	7450P-282	7450P-282	7450P-282	7450P-157	7450P-157	CLAMP ALL - EXHAUST VENT ADAPTER