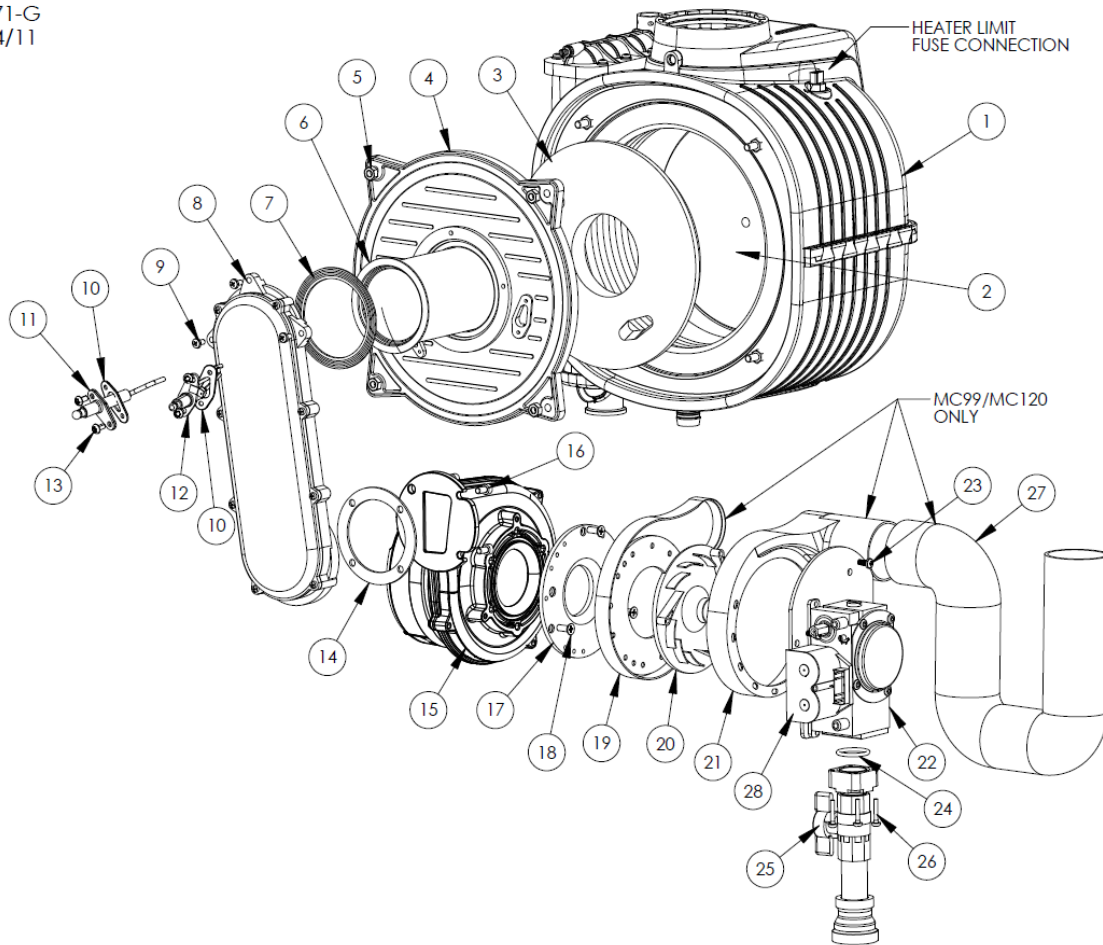


LP-171-G  
01/14/11



#### REPLACEMENT PARTS

| Item # | Description                               | Part #                 | Item # | Description                                | Part #                 |
|--------|---|------------------------|--------|--|------------------------|
| 1      | COMPOSITE MODULE                          | 7500P-010 (MC50)       | 16     | SCREWS M5 X 12MM (COMBUSTION BLOWER)       | 7250P-478              |
|        |   | 7500P-012 (MC80)       | 17     | GAS VALVE ADAPTER PLATE (w/SCREWS)         | 7250P-644              |
|        |   | 7500P-014 (MC99/MC120) | 18     | SCREWS M4 X 12MM (GAS VALVE ADAPTER PLATE) | 7500P-105              |
| 2      | CERAMIC TARGET WALL                       | 7250P-160              | 19     | AIR INTAKE ADAPTER - BLOWER SIDE           | 7500P-185 (MC99/MC120) |
| 3      | BURNER DOOR CERAMIC REFRACTORY            | 7500P-076              | 20     | GAS VALVE SWIRL PLATE                      | 7500P-091 (MC50)       |
| 4      | BURNER DOOR (w/NUTS)                      | 7500P-078              |        |  | 7500P-092 (MC80)       |
| 5      | NUTS - M6 (BURNER DOOR)                   | 7500P-067              |        |  | 7500P-186 (MC99/MC120) |
| 6      | BURNER                                    | 7500P-015 (MC50)       | 21     | AIR INTAKE ADAPTER - VALVE SIDE            | 7500P-184 (MC99/MC120) |
|        |   | 7500P-016 (MC80)       | 22     | GAS VALVE (w/SWIRL PLATE, SCREWS)          | 7250P-448 (MC50)       |
|        |   | 7500P-017 (MC99/MC120) |        |  | 7250P-449 (MC80)       |
| 7      | GASKET (BURNER)                           | 7500P-074              |        |  | 7500P-180 (MC99/MC120) |
| 8      | AIR/GAS CHANNEL (w/TORX SCREWS)           | 7500P-079              | 23     | SCREWS M4 X 18MM (GAS VALVE)               | 7250P-716 (MC50)       |
| 9      | TORX SCREWS (AIR/GAS CHANNEL)             | 7500P-068              |        | SCREWS M4 X 19MM (GAS VALVE)               | 7250P-717 (MC80)       |
| 10     | GASKET (FLAME REC/SPARK ELECTRODE)        | 7250P-005              |        | SCREWS M4 X 25MM (GAS VALVE)               | 7250P-718 (MC99/MC120) |
| 11     | FLAME RECTIFICATION PROBE (w/GASKET)      | 7500P-039              | 24     | O-RING (GAS VALVE PIPING ASSY)             | 7500P-094              |
| 12     | SPARK ELECTRODE (w/GASKET)                | 7350P-020              | 25     | GAS VALVE PIPING ASSY (w/O-RING, SCREWS)   | 7500P-095              |
| 13     | SCREWS M4 X 8MM (PROBE/ELECTRODE)         | 7250P-069              | 26     | SCREWS M5 X 12MM (GAS VALVE PIPING ASSY)   | 7500P-099              |
| 14     | GASKET (AIR CHANNEL TO COMBUSTION BLOWER) | 7500P-075              | 27     | 2" FLEX HOSE - 25' LONG                    | 7500P-189 (MC99/MC120) |
| 15     | COMBUSTION BLOWER (w/SCREWS)              | 7500P-031              | 28     | 24VAC GAS VALVE COIL ONLY - GREY           | 7350P-624              |

Figure 34

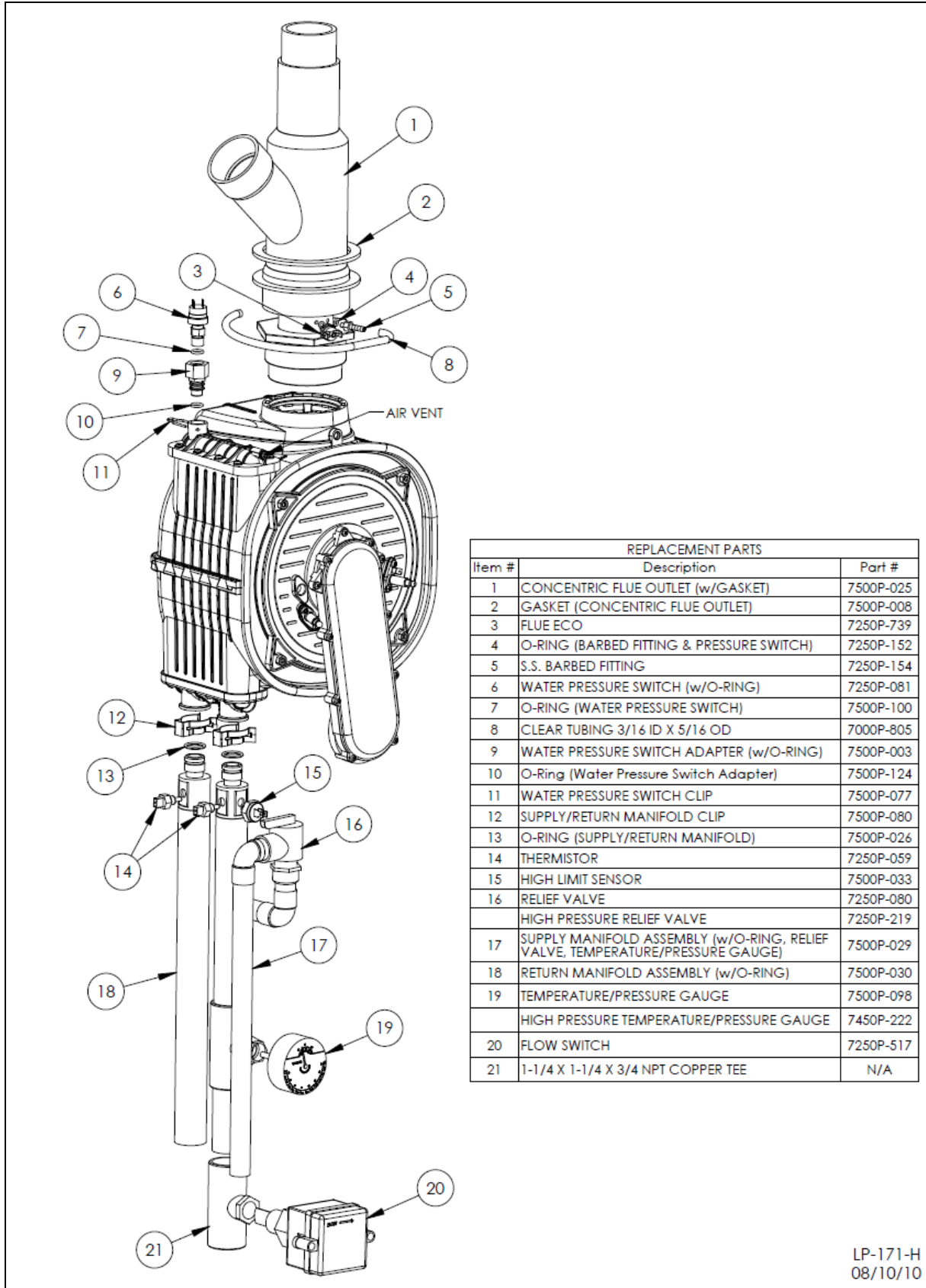


Figure 35

LP-171-H  
08/10/10

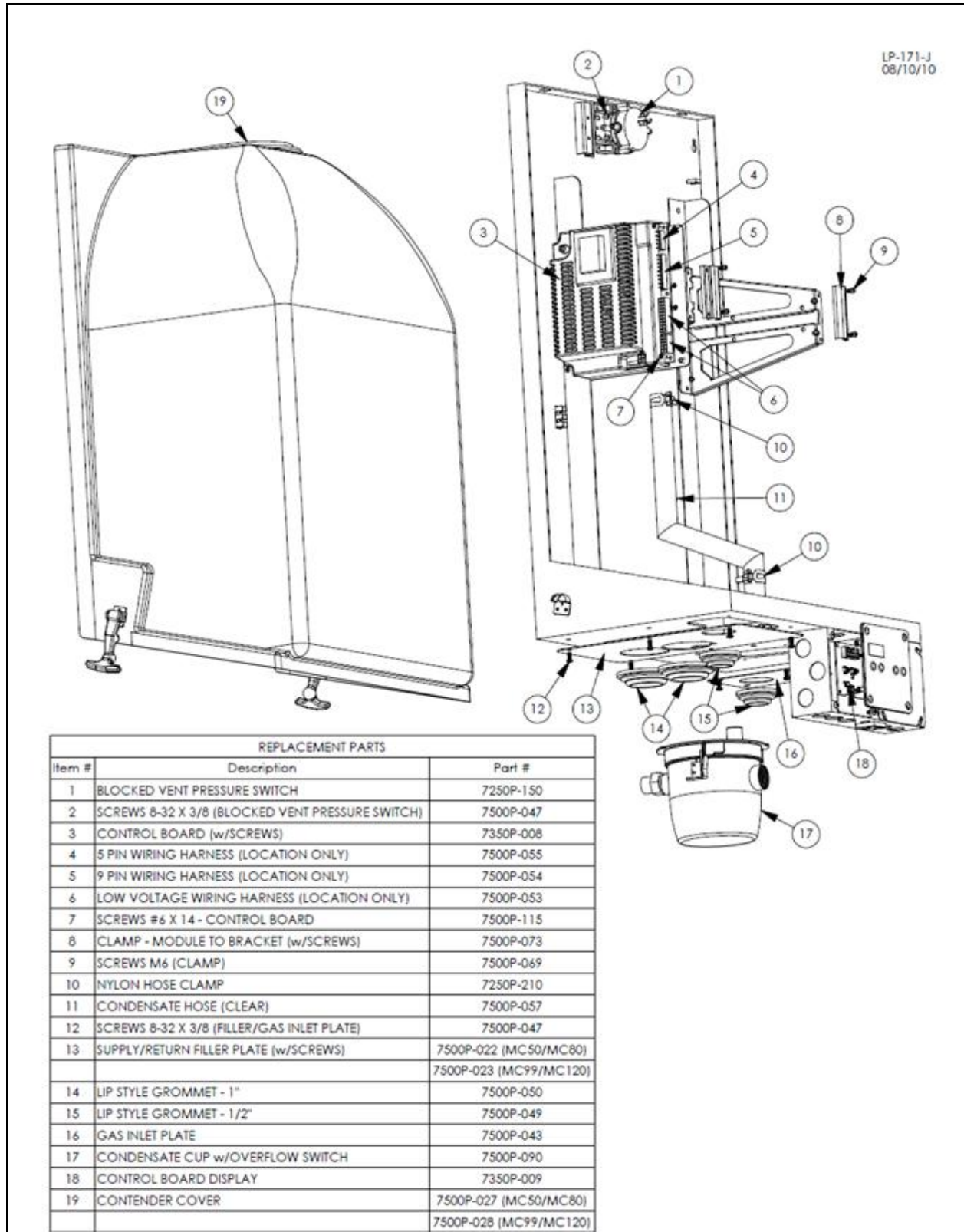


Figure 36