

Figure 32

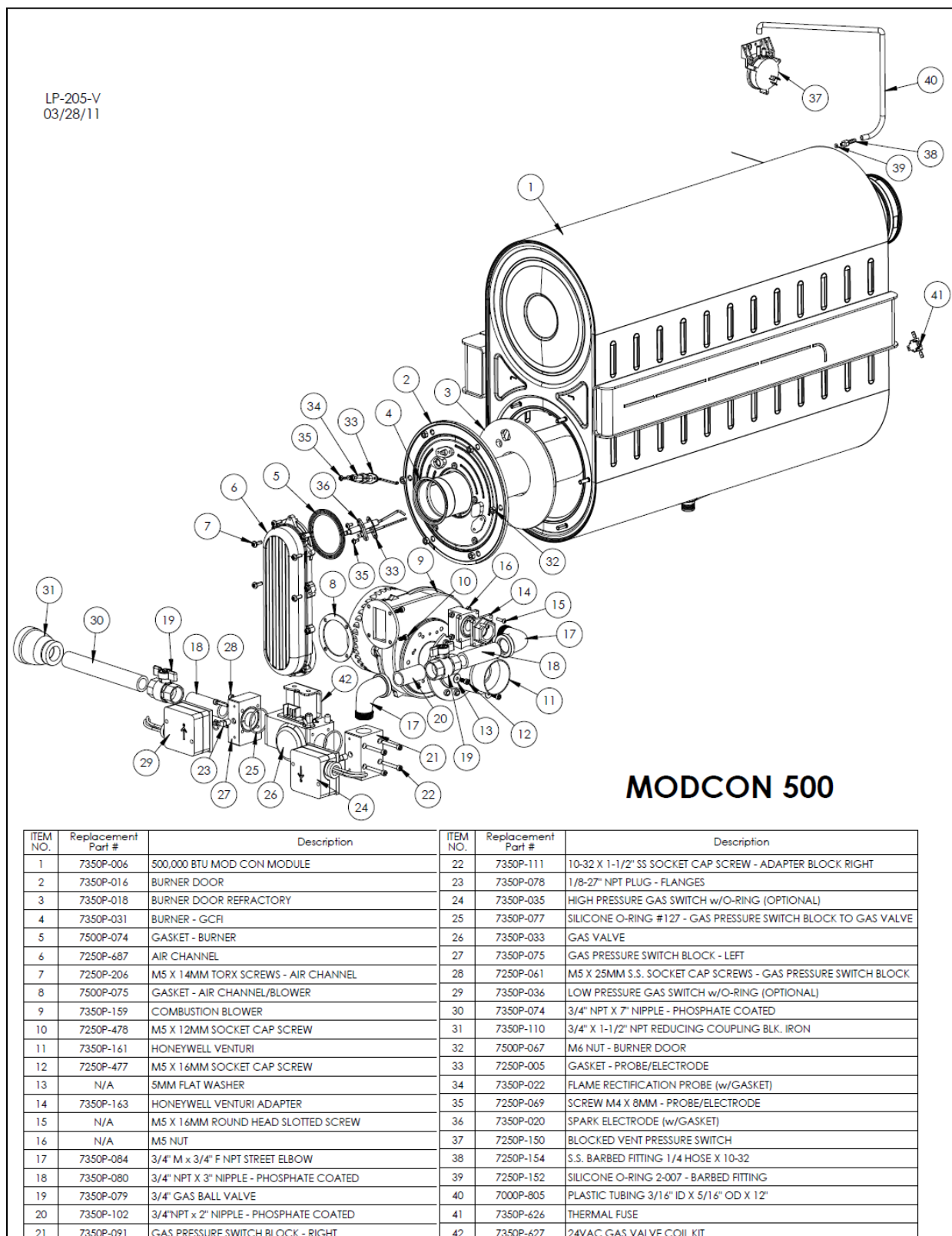


Figure 33

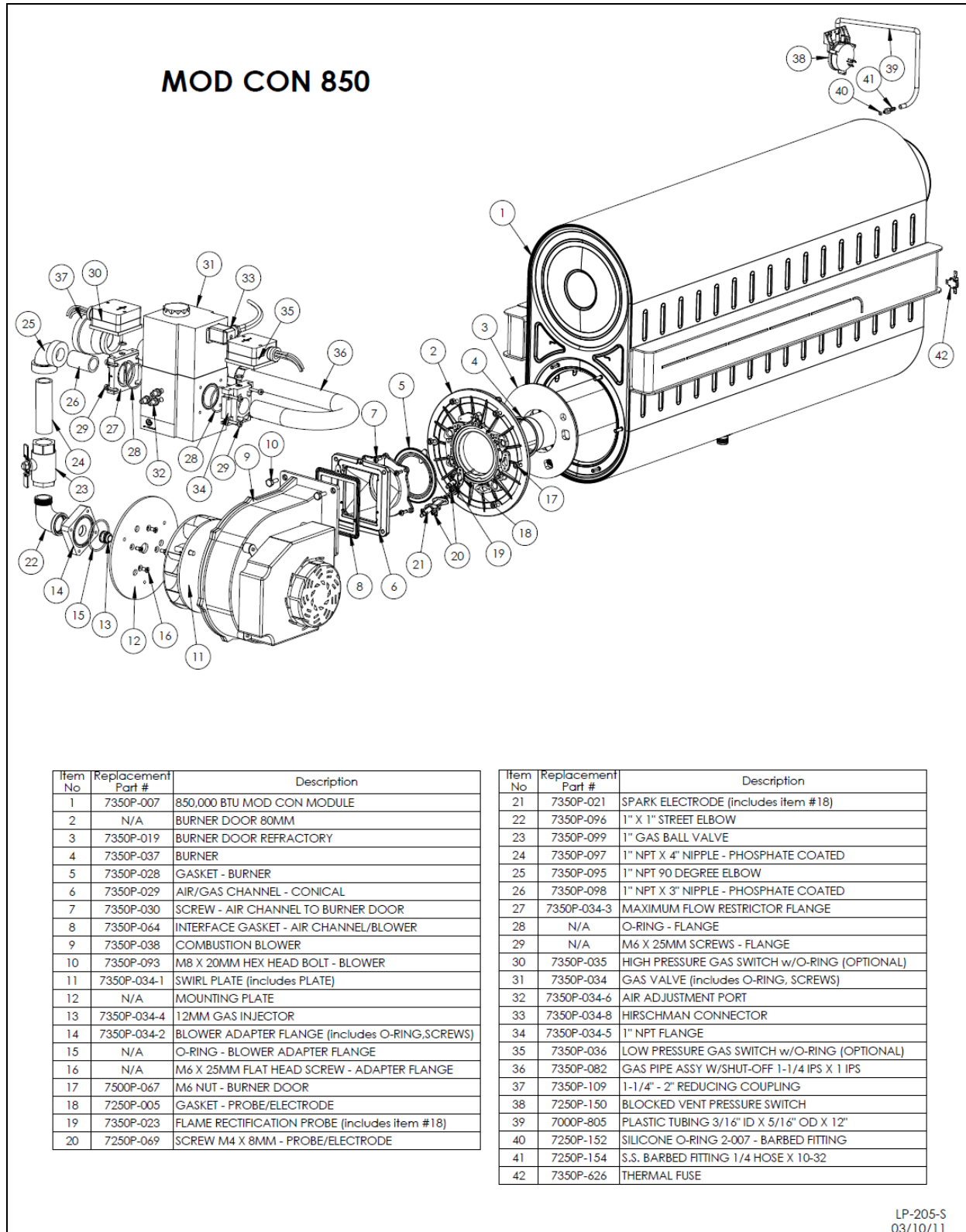
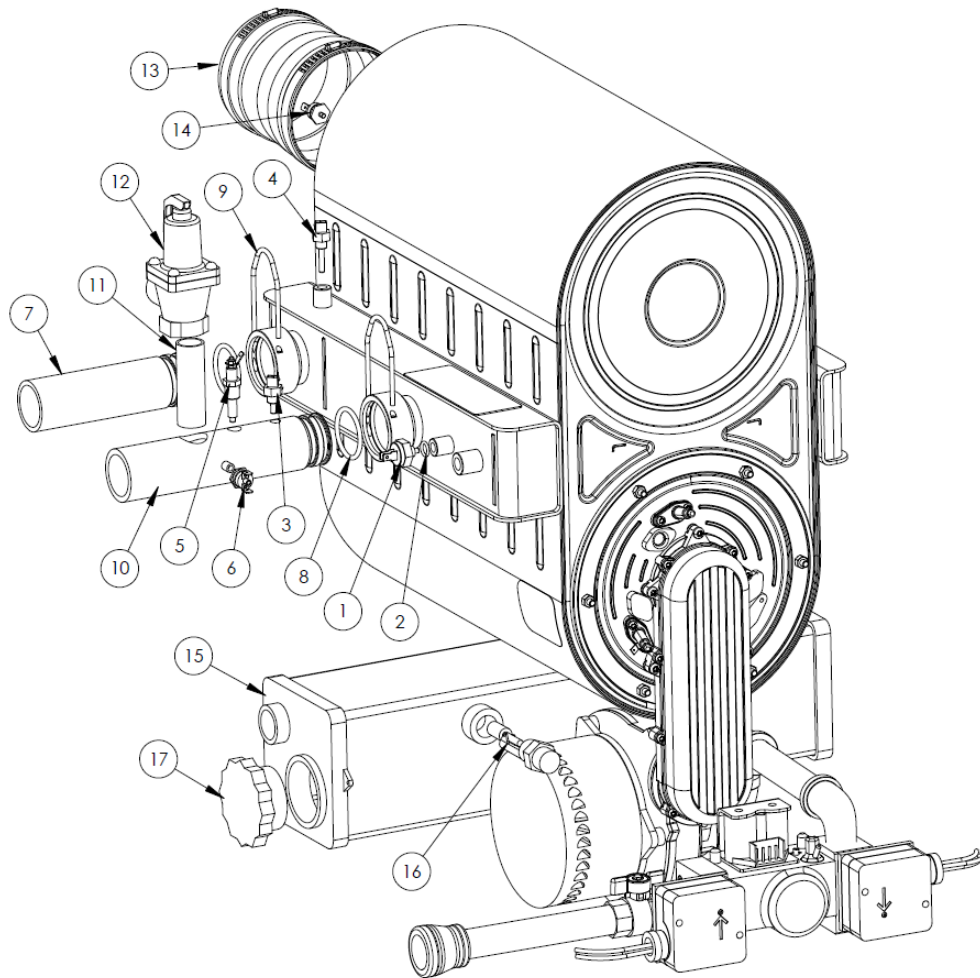


Figure 34



| Item No | MOD CON 300 | MOD CON 500 | MOD CON 850 | Description |
|---------|-------------|-------------|-------------|---|
| 1 | 7500P-033 | 7500P-033 | 7500P-033 | ECO HIGH LIMIT SENSOR (w/O-RING) |
| 2 | 7500P-100 | 7500P-100 | 7500P-100 | O-RING - ECO HIGH LIMIT SENSOR |
| 3 | 7250P-059 | 7250P-059 | 7250P-059 | THERMISTOR - SYSTEM SUPPLY |
| 4 | 7250P-667 | 7250P-667 | 7250P-667 | THERMISTOR |
| 5 | 7350P-089 | 7350P-089 | 7350P-089 | LOW WATER CUT-OFF PROBE |
| 6 | 7500P-002 | 7500P-002 | 7500P-002 | ECO SWITCH - 190 DEGREES |
| 7 | 7350P-003 | 7350P-004 | 7350P-004 | 1-1/2" INLET NIPPLE (w/O-RING)(300 only) 2" INLET/NIPPLE (w/O-RING) |
| 8 | 7350P-071 | 7350P-072 | 7350P-072 | O-RING - INLET/OUTLET NIPPLE |
| 9 | 7350P-014 | 7350P-015 | 7350P-015 | 1-1/2" INLET/OUTLET NIPPLE CLIP (300 only) 2" INLET/OUTLET NIPPLE CLIP |
| 10 | 7350P-001 | 7350P-002 | 7350P-002 | 1-1/2" OUTLET NIPPLE (w/O-RING)(300 only) 2" OUTLET NIPPLE (w/O-RING) |
| 11 | SN1018 | SN1018 | SN1018 | 3/4" NPT X 3" NIPPLE - BRASS |
| 12 | 7350P-065 | 7350P-065 | 7350P-065 | 150# RELIEF VALVE - 3/4" NPT |
| 13 | 7250P-733 | 7250P-733 | 7350P-094 | Z-FLEX EXHAUST ADAPTOR FOR PVC |
| 14 | 7250P-739 | 7250P-739 | 7250P-739 | FLUE ECO SWITCH - 160 DEGREES |
| 15 | 7350P-613 | 7350P-613 | 7350P-613 | CONDENSATE COLLECTOR BODY |
| 16 | 7350P-167 | 7350P-167 | 7350P-167 | CONDENSATE OVERFLOW SWITCH |
| 17 | 7350P-113 | 7350P-113 | 7350P-113 | 2" PVC PLUG |

Figure 35

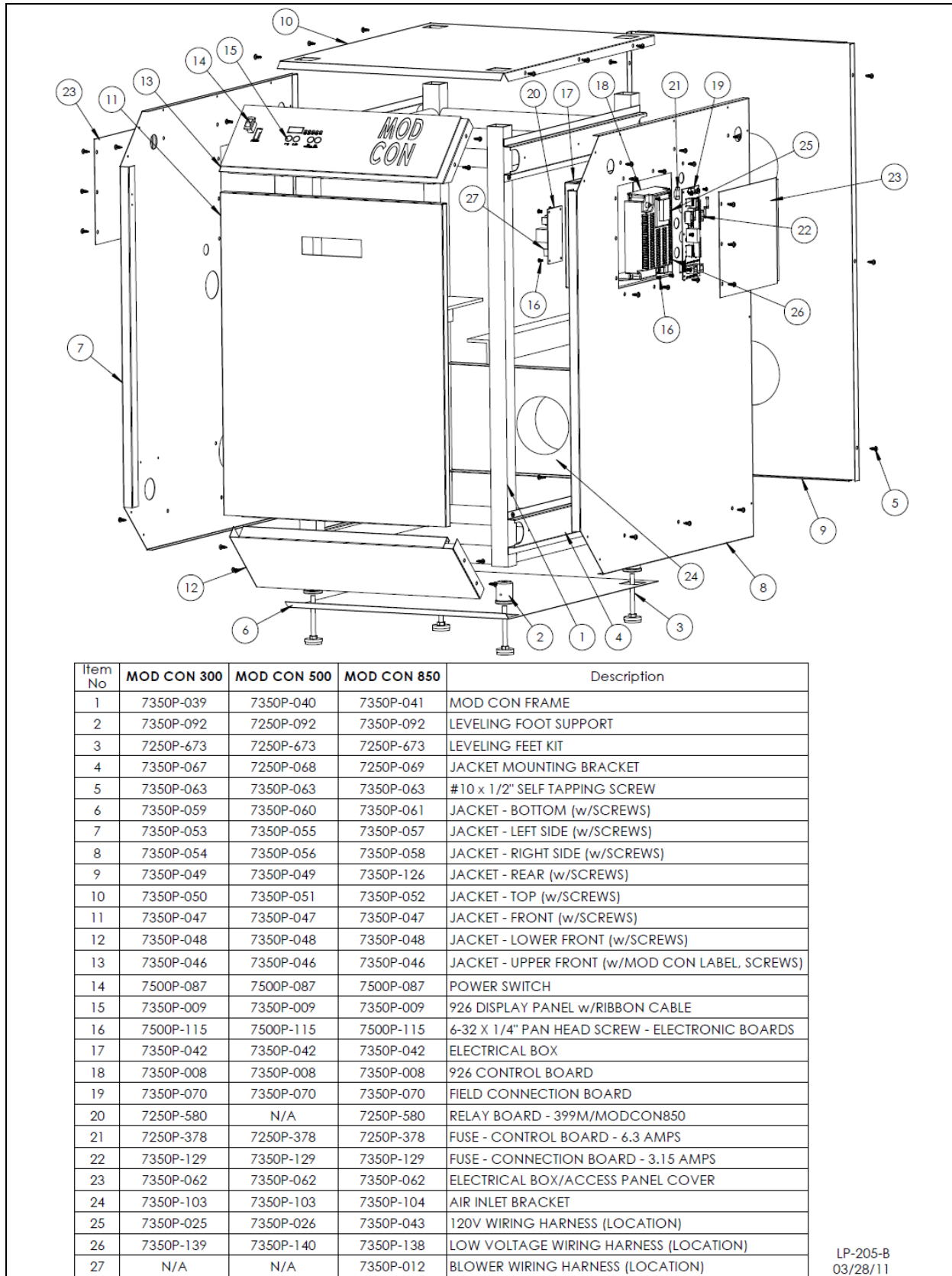


Figure 36