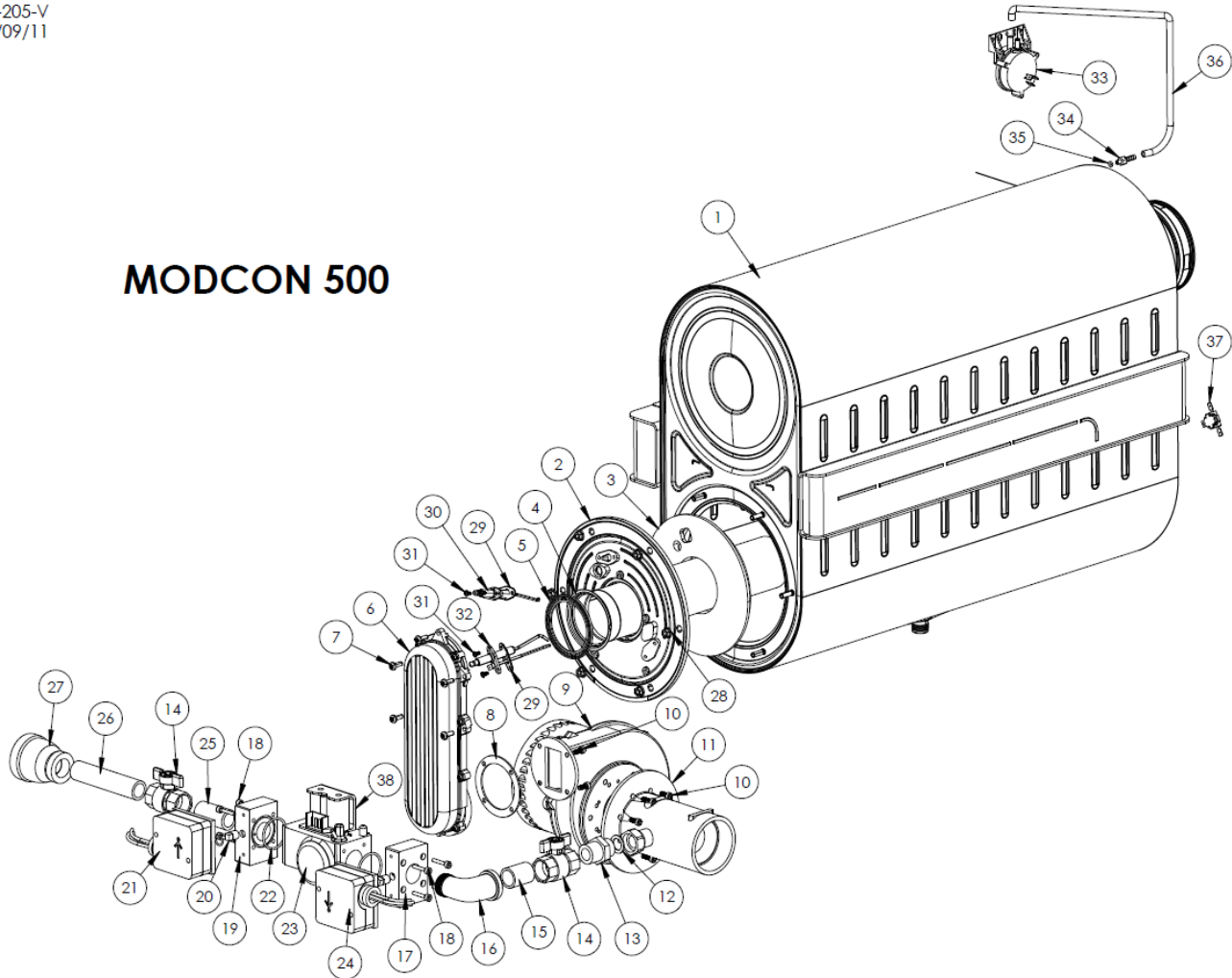


Item No	Replacement Part #	Description	Item No	Replacement Part #	Description
1	7350P-005	300,000 BTU MOD CON MODULE	23	7350P-033	GAS VALVE
2	7350P-016	BURNER DOOR	24	7350P-102	3/4"NPT x 2" NIPPLE - PHOSPHATE COATED
3	7350P-018	BURNER DOOR REFRACTORY	25	7350P-079	3/4" GAS BALL VALVE
4	7350P-031	BURNER - GCF	26	7350P-091	GAS PRESSURE SWITCH BLOCK - RIGHT
5	7500P-074	GASKET - BURNER	27	7350P-077	SILICONE O-RING #127 - GAS PRESSURE SWITCH BLOCK TO GAS VALVE
6	7250P-687	AIR CHANNEL	28	7350P-075	GAS PRESSURE SWITCH BLOCK - LEFT
7	7250P-206	M5 X 14MM TORX SCREWS - AIR CHANNEL	29	7350P-111	10-32 X 1-1/2" SS SOCKET CAP SCREW - PRESSURE SWITCH BLOCK
8	7500P-075	GASKET - AIR CHANNEL/BLOWER	30	7250P-061	M5 X 25MM S.S. SOCKET CAP SCREWS - GAS PRESSURE SWITCH BLOCK
9	7350P-159	COMBUSTION BLOWER	31	7350P-035	HIGH PRESSURE GAS SWITCH w/O-RING (OPTIONAL)
10	7350P-119	M5 X 12MM HEX CAP SCREW - BLOWER	32	7350P-036	LOW PRESSURE GAS SWITCH w/O-RING (OPTIONAL)
11	7250P-711	FAN ADAPTER PLATE	33	7350P-078	1/8-27" NPT PLUG - GAS PRESSURE SWITCH BLOCK
12	N/A	M5 X 8MM FLAT HEAD PHILLIPS SCREW	34	7500P-067	M6 NUT - BURNER DOOR
13	7250P-712	SWIRL PLATE 16MM	35	7250P-005	GASKET - PROBE/ELECTRODE
14	7350P-121-3	GAS INJECTOR PLATE O-RING	36	7350P-020	SPARK ELECTRODE (w/GASKET)
15	7350P-121-4	GAS INJECTOR	37	7250P-069	SCREW M4 X 8MM - PROBE/ELECTRODE
16	7350P-121-2	3/4" NPT ADAPTER	38	7350P-022	FLAME RECTIFICATION PROBE (w/GASKET)
17	7350P-121-1	GAS INJECTOR PLATE	39	7350P-122	3/4" X 1-1/4" NPT REDUCING COUPLING BLK. IRON
18	7350P-121-5	M4 X 10MM FLAT HEAD SLOTTED SCREW	40	7250P-152	SILICONE O-RING 2-007 - BARBED FITTING
19	7350P-617	M4 X 35MM SCREW	41	7250P-154	S.S. BARBED FITTING 1/4 HOSE X 10-32 (w/O-RING)
20	7350P-083	3/4" NPT ELBOW, SCH. 40	42	7250P-150	BLOCKED VENT PRESSURE SWITCH
21	7350P-084	3/4" M x 3/4" F NPT STREET ELBOW	43	7000P-805	PLASTIC TUBING 3/16" ID X 5/16" OD X 12"
22	7350P-074	3/4" NPT X 7" NIPPLE - PHOSPHATE COATED	44	7350P-627	24VAC GAS VALVE COIL KIT
			45	7350P-626	THERMAL FUSE

Figure 30

LP-205-V  
11/09/11

# MODCON 500

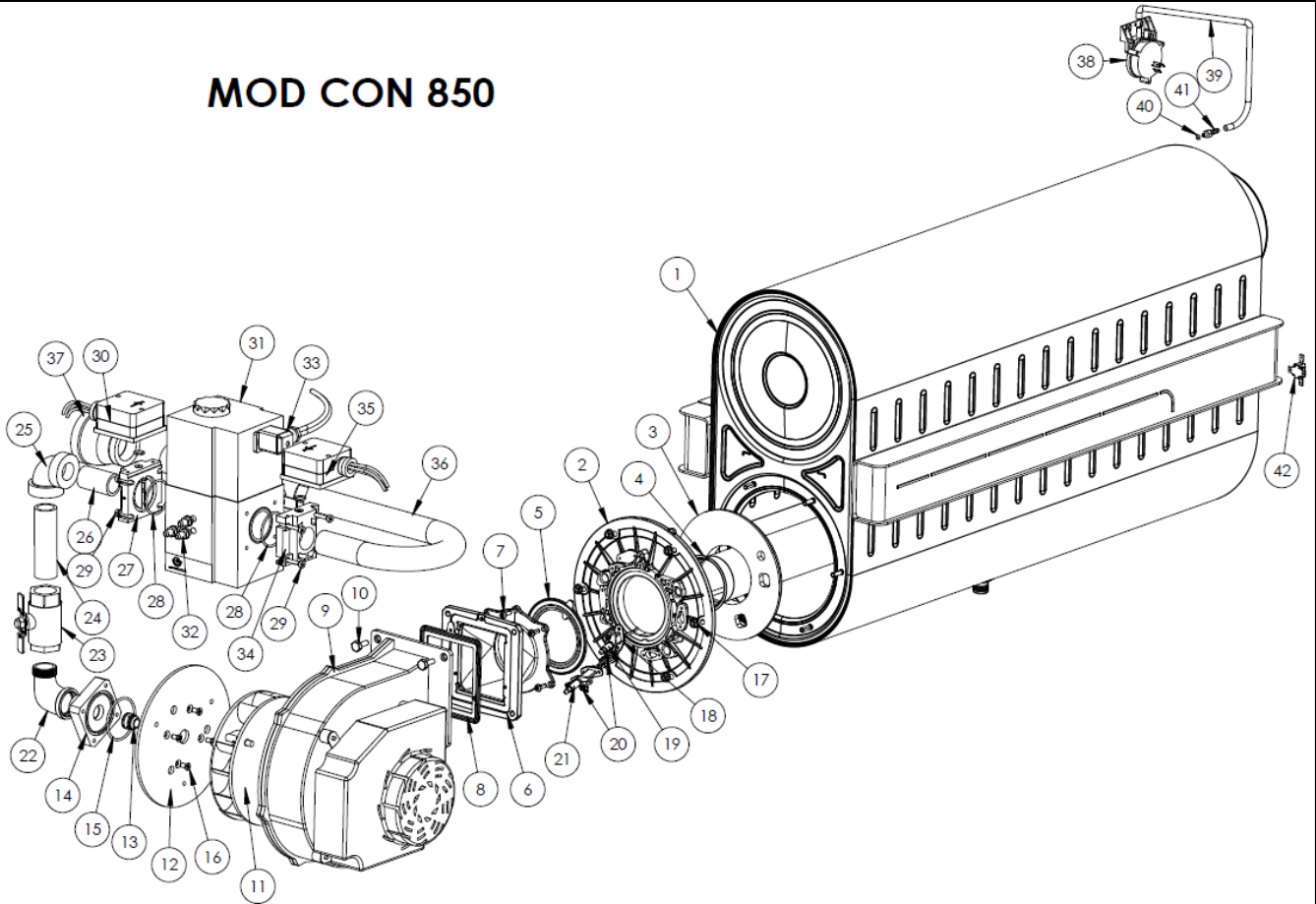


Item No	Replacement Part #	Description
1	7350P-006	500,000 BTU MODCON MODULE
2	7350P-016	BURNER DOOR
3	7350P-018	BURNER DOOR REFRACTORY
4	7350P-031	BURNER - GCFI
5	7500P-074	BURNER MOUNTING GASKET
6	7250P-687	AIR CHANNEL
7	7250P-206	M5 X 14MM TORX SCREWS - AIR CHANNEL
8	7500P-075	GASKET - AIR CHANNEL/BLOWER
9	7350P-159	COMBUSTION BLOWER
10	7250P-478	M5 X 12MM ALLEN CAP SCREW - BLOWER
11	7350P-630	AIR/GAS MIXER ASSEMBLY
12	7450P-115	WASHER - AIR/GAS MIXER
13	7450P-119	3/4 NPT X 3/4 BSPP ADAPTER
14	7350P-079	3/4" GAS BALL VALVE
15	7350P-101	3/4 NPT X CLOSE NIPPLE - PHOSPHATE COATED
16	7350P-084	3/4 M X 3/4 F NPT STREET ELBOW
17	7350P-075	GAS PRESSURE SWITCH BLOCK (LEFT)
18	7250P-061	M5 X 25MM SS SOCKET CAP SCREWS - SWITCH BLOCK
19	7350P-076	GAS PRESSURE SWITCH BLOCK (RIGHT)

Item No	Replacement Part #	Description
20	7350P-078	1/8-27 NPT PLUG - SWITCH BLOCK
21	7350P-036	LOW PRESSURE GAS SWITCH w/O-RING (OPTIONAL)
22	7350P-077	SILICONE O-RING #127 - SWITCH BLOCK
23	7350P-033	GAS VALVE
24	7350P-035	HIGH PRESSURE GAS SWITCH w/O-RING (OPTIONAL)
25	7350P-102	3/4" NPT X 2" NIPPLE - PHOSPHATE COATED
26	7350P-081	3/4" NPT X 4-1/2" NIPPLE - PHOSPHATE COATED
27	7350P-110	3/4" X 1-1/2" NPT REDUCING COUPLING BLACK IRON
28	7500P-067	M6 NUT - BURNER DOOR
29	7250P-005	GASKET - PROBE/ELECTRODE
30	7350P-022	FLAME RECTIFICATION PROBE (w/GASKET)
31	7250P-069	M4 X 8MM S.S. SCREW - PROBES
32	7350P-020	SPARK ELECTRODE (w/GASKET)
33	7250P-160	BLOCKED VENT PRESSURE SWITCH
34	7250P-154	S.S. BARBED FITTING 1/4 HOSE X 10-32
35	7250P-152	SILICONE O-RING 2-007 - BARBED FITTING
36	7000P-805	PLASTIC TUBING 3/16" ID X 5/16" OD X 12" LONG
37	7350P-626	THERMAL FUSE
38	7350P-627	24 VAC GAS VALVE COIL KIT

Figure 31

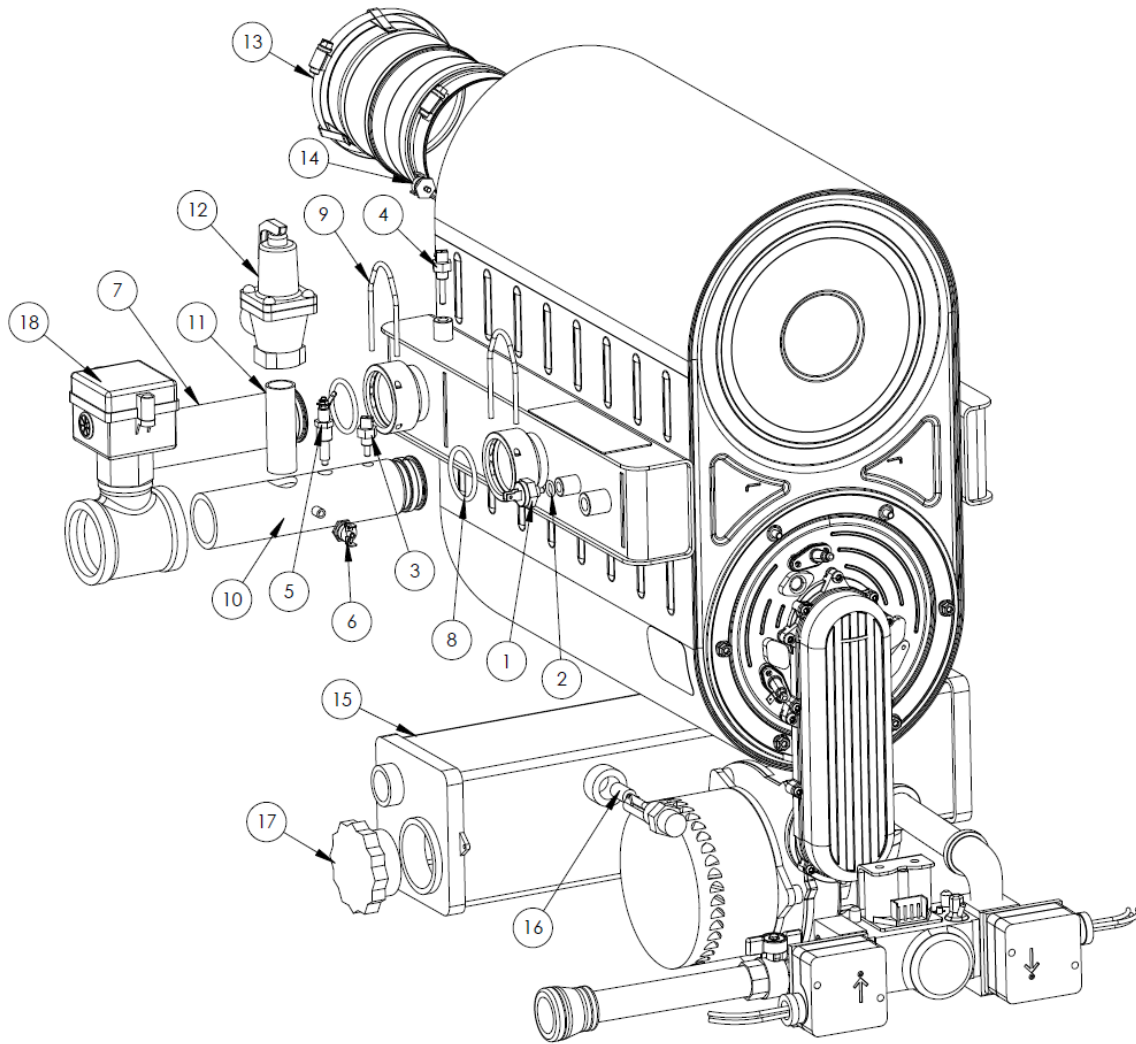
# MOD CON 850



Item No	Replacement Part #	Description
1	7350P-007	850,000 BTU MOD CON MODULE
2	N/A	BURNER DOOR 80MM
3	7350P-019	BURNER DOOR REFRACTORY
4	7350P-631	BURNER KIT (includes items 2, 3, 4, 5, 6, 7, 8, 17 and 18)
5	7350P-028	GASKET - BURNER
6	7350P-029	AIR/GAS CHANNEL - CONICAL
7	7350P-030	SCREW - AIR CHANNEL TO BURNER DOOR
8	7350P-064	INTERFACE GASKET - AIR CHANNEL/BLOWER
9	7350P-038	COMBUSTION BLOWER
10	7350P-093	M8 X 20MM HEX HEAD BOLT - BLOWER
11	7350P-034-1	SWIRL PLATE (includes PLATE)
12	N/A	MOUNTING PLATE
13	7350P-034-4	12MM GAS INJECTOR
14	7350P-034-2	BLOWER ADAPTER FLANGE (includes O-RING,SCREWS)
15	N/A	O-RING - BLOWER ADAPTER FLANGE
16	N/A	M6 X 25MM FLAT HEAD SCREW - ADAPTER FLANGE
17	7500P-067	NUT M6 - BURNER DOOR
18	7250P-005	GASKET - PROBE/ELECTRODE
19	7350P-023	FLAME RECTIFICATION PROBE (includes item #18)
20	7250P-069	M4 X 8MM CHEESE HEAD PHILLIPS

Item No	Replacement Part #	Description
21	7350P-021	SPARK ELECTRODE (includes item #18)
22	7350P-096	1" X 1" STREET ELBOW
23	7350P-099	1" GAS BALL VALVE
24	7350P-097	1" NPT X 4" NIPPLE - PHOSPHATE COATED
25	7350P-095	1" NPT 90 DEGREE ELBOW
26	7350P-098	1" NPT X 3" NIPPLE - PHOSPHATE COATED
27	7350P-034-3	MAXIMUM FLOW RESTRICTOR FLANGE
28	N/A	O-RING - FLANGE
29	N/A	M6 X 25MM SCREWS - FLANGE
30	7350P-035	HIGH PRESSURE GAS SWITCH w/O-RING (OPTIONAL)
31	7350P-034	GAS VALVE (includes O-RING, SCREWS)
32	7350P-034-6	AIR ADJUSTMENT PORT
33	7350P-034-8	HIRSCHMAN CONNECTOR
34	7350P-034-5	1" NPT FLANGE
35	7350P-036	LOW PRESSURE GAS SWITCH w/O-RING (OPTIONAL)
36	7350P-082	GAS PIPE ASSY W/SHUT-OFF 1-1/4 IPS X 1 IPS
37	7350P-109	1-1/4" - 2" REDUCING COUPLING
38	7250P-150	BLOCKED VENT PRESSURE SWITCH
39	7000P-805	PLASTIC TUBING 3/16" ID X 5/16" OD X 12"
40	7250P-152	SILICONE O-RING 2-007 - BARBED FITTING
41	7250P-154	S.S. BARBED FITTING 1/4 HOSE X 10-32
42	7350P-626	THERMAL FUSE

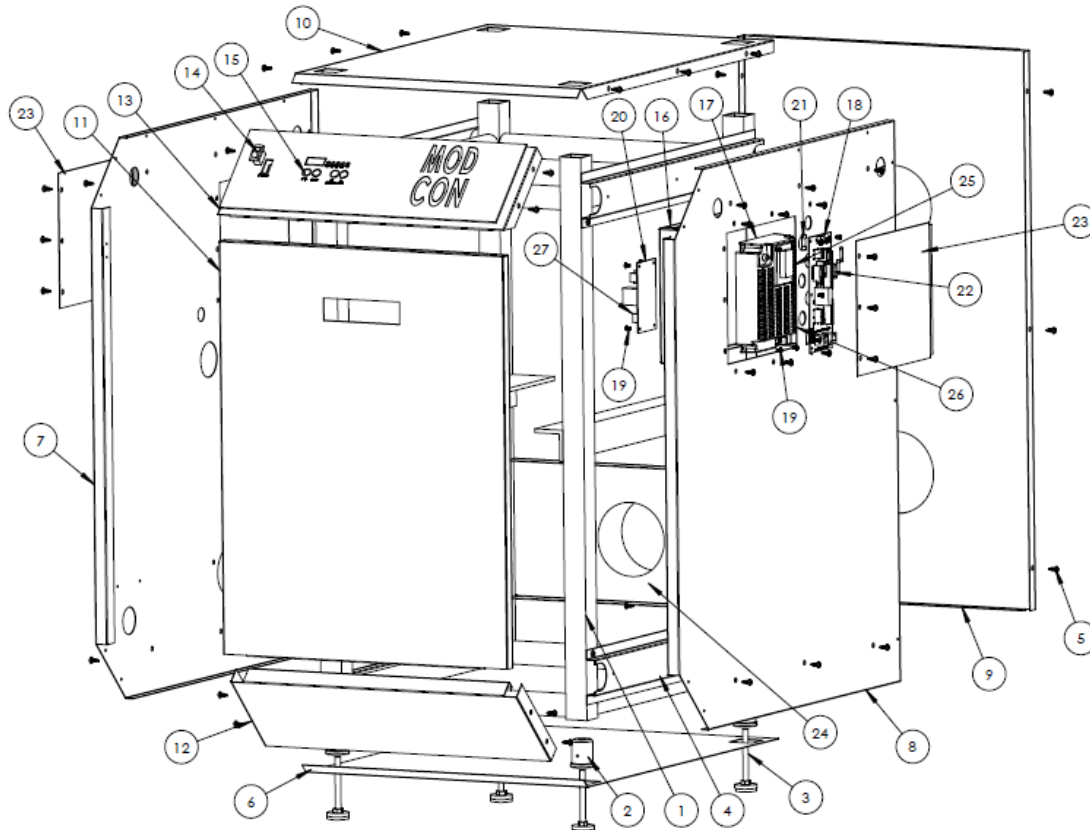
Figure 32



ITEM	MOD CON 300VWH	MOD CON 500VWH	MOD CON 850VWH	DESCRIPTION
1	7500P-033	7500P-033	7500P-033	ECO HIGH LIMIT SENSOR(W/O-RING)
2	7500P-100	7500P-100	7500P-100	O-RING-ECO HIGH LIMIT SENSOR
3	7250P-059	7250P-059	7250P-059	THERMISTOR -SYSTEM SUPPLY
4	7250P-667	7350P-667	7350P-667	THERMISTOR - SYSTEM RETURN
5	7350P-089	7350P-089	7350P-089	LOW WATER CUT-OFF PROBE
6	7500P-002	7500P-002	7500P-002	ECO SWITCH-190 DEGREES
7	7350P-003	7350P-004	7350P-004	1-1/2INLET NIPPLE (w/O-RING)(300 ONLY) 2" INLET /NIPPLE (w/O-RING)
8	7350P-071	7350P-072	7350P-072	O-RING- INLET/OUTLET NIPPLE
9	7350P-014	7350P-015	7350P-015	1-1/2" INLET/OUTLET NIPPLE CLIP(300 only) 2" INLET NIPPLE CLIP
10	7350P-001	7350P-002	7350P-002	1-1/2" OUTLET NIPPLE (w/O-RING)(300 only) 2" OUTLET NIPPLE (w/O-RING)
11	SN1018	SN1018	SN1018	3/4"NPT X 3" NIPPLE - BRASS
12	7350P-065	7350P-065	7350P-065	150# RELIEF VALVE=3/4" NPT
13	7350P-219	7350P-219	7350P-220	VENT ADAPTER
14	7250P-739	7250P-739	7250P-739	FLUE ECO SWITCH - 160 DEGREES
15	7350P-613	7350P-613	7350P-613	CONDENSATE COLLECTOR ASSEMBLY
16	7350P-167	7350P-167	7350P-167	CONDENSATE OVERFLOW SWITCH
17	7350P-113	7350P-113	7350P-113	2" PVC PLUG
18	7350P-606	7350P-605	7350P-605	FLOW SWITCH KIT FOR MOD CON VWH (Includes Brass Tee)

LP-276-F  
10/02/11

Figure 33



Item No	MOD CON 300	MOD CON 500	MOD CON 850	Description
1	7350P-039	7350P-040	7350P-041	MOD CON FRAME
2	7350P-092	7250P-092	7350P-092	LEVELING FOOT SUPPORT
3	7250P-673	7250P-673	7250P-673	LEVELING FEET KIT
4	7350P-067	7250P-068	7250P-069	JACKET MOUNTING BRACKET
5	7350P-063	7350P-063	7350P-063	#10 x 1/2" SELF TAPPING SCREW
6	7350P-059	7350P-060	7350P-061	JACKET - BOTTOM (w/SCREWS)
7	7350P-053	7350P-055	7350P-057	JACKET - LEFT SIDE (w/SCREWS)
8	7350P-054	7350P-056	7350P-058	JACKET - RIGHT SIDE (w/SCREWS)
9	7350P-049	7350P-049	7350P-126	JACKET - REAR (w/SCREWS)
10	7350P-050	7350P-051	7350P-052	JACKET - TOP (w/SCREWS)
11	7350P-047	7350P-047	7350P-047	JACKET - FRONT (w/SCREWS)
12	7350P-048	7350P-048	7350P-048	JACKET - LOWER FRONT (w/SCREWS)
13	7350P-046	7350P-046	7350P-046	JACKET - UPPER FRONT (w/MOD CON LABEL, SCREWS)
14	7500P-087	7500P-087	7500P-087	POWER SWITCH
15	7350P-009	7350P-009	7350P-009	926 DISPLAY PANEL w/RIBBON CABLE
16	7350P-042	7350P-042	7350P-042	ELECTRICAL BOX
17	7350P-008	7350P-008	7350P-008	926 CONTROL BOARD
18	7350P-070	7350P-070	7350P-070	FIELD CONNECTION BOARD
19	7500P-115	7500P-115	7500P-115	6-32 X 1/4" PAN HEAD SCREW - ELECTRONIC BOARDS
20	7250P-580	N/A	7250P-580	RELAY BOARD - 399M/MODCON850
21	7250P-378	7250P-378	7250P-378	FUSE - CONTROL BOARD - 6.3 AMPS
22	7350P-129	7350P-129	7350P-129	FUSE - CONNECTION BOARD - 3.15 AMPS
23	7350P-062	7350P-062	7350P-062	ELECTRICAL BOX/ACCESS PANEL COVER
24	7350P-103	7350P-103	7350P-104	AIR INLET BRACKET
25	7350P-025	7350P-026	7350P-043	120V WIRING HARNESS (LOCATION)
26	7350P-024	7350P-044	7350P-045	LOW VOLTAGE WIRING HARNESS (LOCATION)
27	N/A	N/A	7350P-012	BLOWER WIRING HARNESS (LOCATION)

LP-205-B  
10/06/10

Figure 34