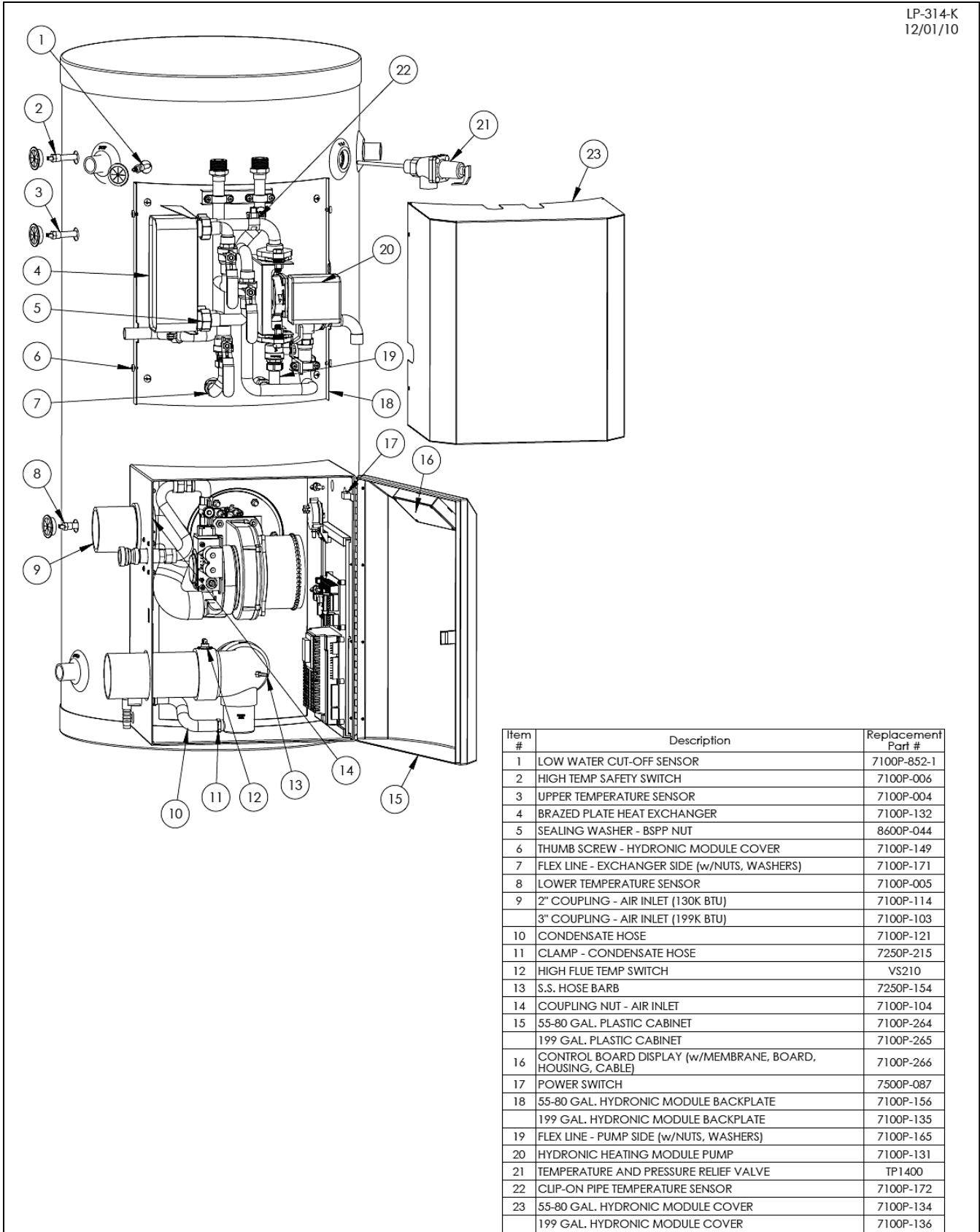
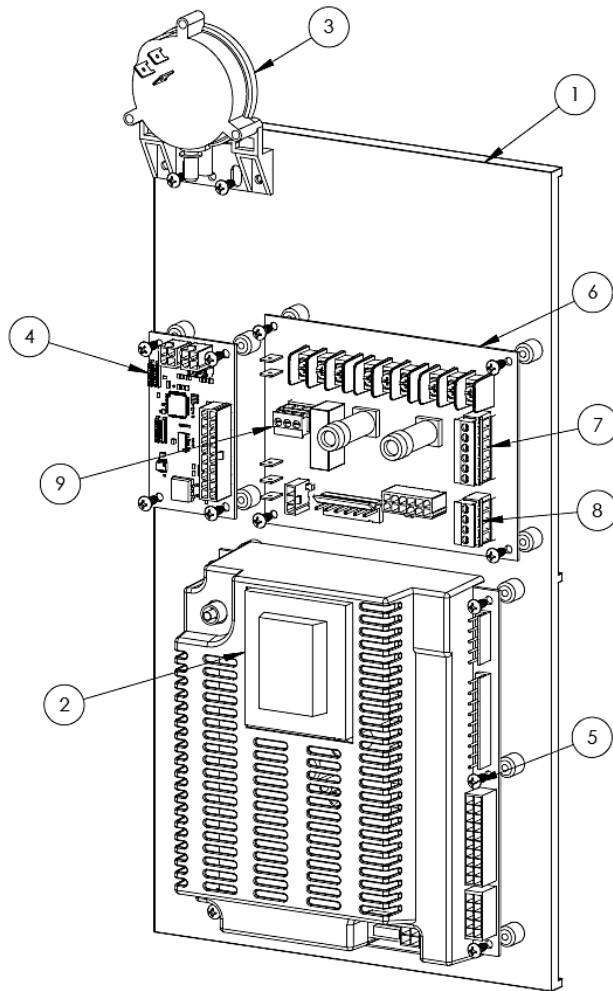


LP-314-K
12/01/10



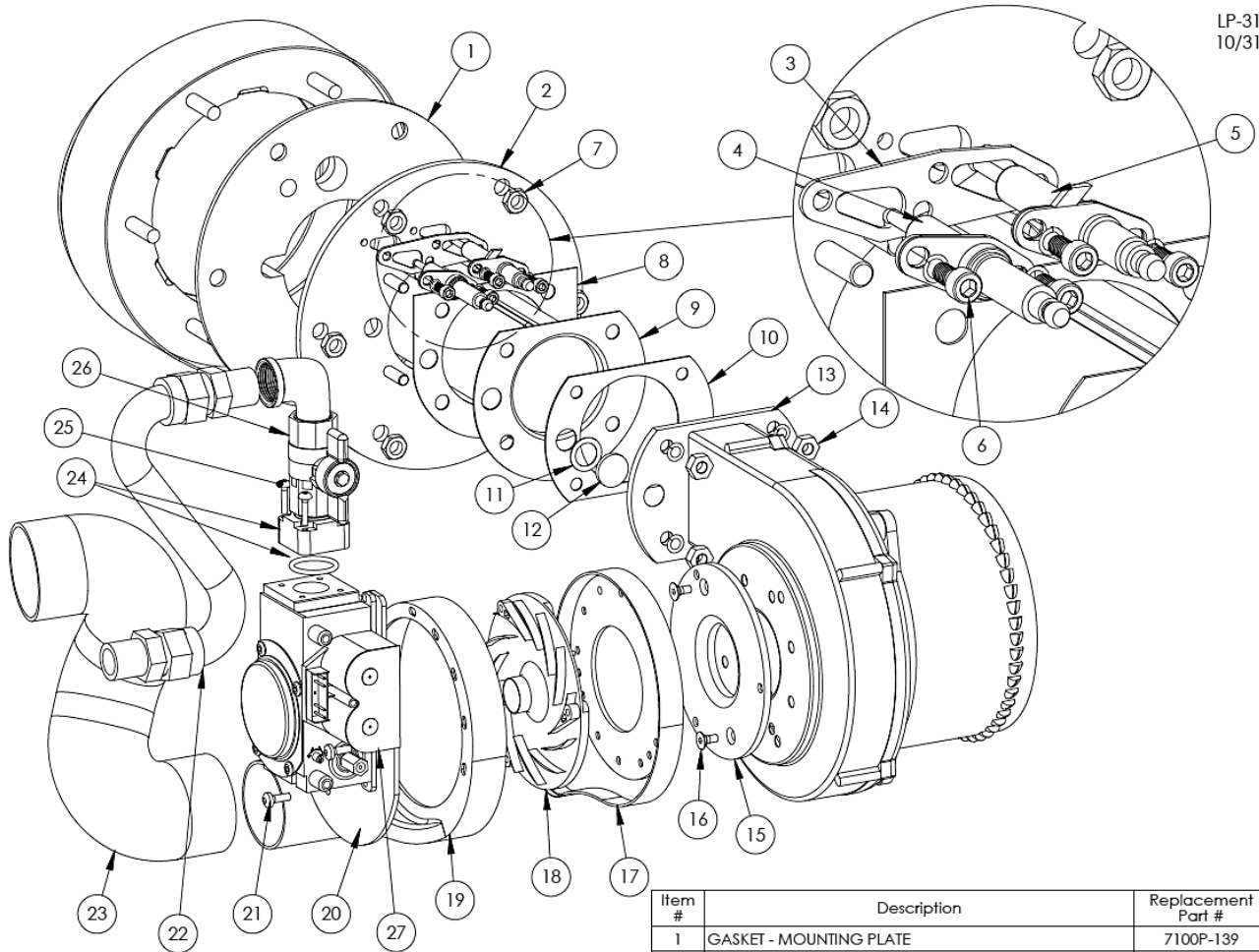
Item #	Description	Replacement Part #
1	LOW WATER CUT-OFF SENSOR	7100P-852-1
2	HIGH TEMP SAFETY SWITCH	7100P-006
3	UPPER TEMPERATURE SENSOR	7100P-004
4	BRAZED PLATE HEAT EXCHANGER	7100P-132
5	SEALING WASHER - BSPP NUT	8600P-044
6	THUMB SCREW - HYDRONIC MODULE COVER	7100P-149
7	FLEX LINE - EXCHANGER SIDE (w/NUTS, WASHERS)	7100P-171
8	LOWER TEMPERATURE SENSOR	7100P-005
9	2" COUPLING - AIR INLET (130K BTU)	7100P-114
	3" COUPLING - AIR INLET (199K BTU)	7100P-103
10	CONDENSATE HOSE	7100P-121
11	CLAMP - CONDENSATE HOSE	7250P-215
12	HIGH FLUE TEMP SWITCH	VS210
13	S.S. HOSE BARB	7250P-154
14	COUPLING NUT - AIR INLET	7100P-104
15	55-80 GAL. PLASTIC CABINET	7100P-264
	199 GAL. PLASTIC CABINET	7100P-265
16	CONTROL BOARD DISPLAY (w/MEMBRANE, BOARD, HOUSING, CABLE)	7100P-266
17	POWER SWITCH	7500P-087
18	55-80 GAL. HYDRONIC MODULE BACKPLATE	7100P-156
	199 GAL. HYDRONIC MODULE BACKPLATE	7100P-135
19	FLEX LINE - PUMP SIDE (w/NUTS, WASHERS)	7100P-165
20	HYDRONIC HEATING MODULE PUMP	7100P-131
21	TEMPERATURE AND PRESSURE RELIEF VALVE	TP1400
22	CLIP-ON PIPE TEMPERATURE SENSOR	7100P-172
23	55-80 GAL. HYDRONIC MODULE COVER	7100P-134
	199 GAL. HYDRONIC MODULE COVER	7100P-136

Figure 27



Item #	Description	Replacement Part #
1	ELECTRONIC BACK PLATE	7100P-102
2	CONTROL BOARD	7450P-122
3	BLOCKED VENT PRESSURE SWITCH	7250P-150
4	ECS BOARD	7100P-108
5	#6 X 3/8" THREAD FORMING SCREW	N/A
6	FIELD CONNECTION BOARD	7100P-083
7	6 PIN TERMINAL BLOCK	7100P-254
8	4 PIN TERMINAL BLOCK	7100P-255
9	3 PIN TERMINAL BLOCK	7100P-256
10	ECS RIBBON CABLE (NOT SHOWN)	7100P-221
11	LOW VOLTAGE WIRE HARNESS (NOT SHOWN)	7100P-257
12	HIGH VOLTAGE WIRE HARNESS (NOT SHOWN)	7100P-258
13	HYDRONIC MODULE WIRE HARNESS (NOT SHOWN)	7100P-259
14	55 GAL. SENSOR WIRE HARNESS (NOT SHOWN)	7100P-260
	80 GAL. SENSOR WIRE HARNESS (NOT SHOWN)	7100P-261
	119 GAL. SENSOR WIRE HARNESS (NOT SHOWN)	7100P-262

Figure 28 – LP-314-G

LP-314-H
10/31/11

Item #	Description	Replacement Part #
1	GASKET - MOUNTING PLATE	7100P-139
2	MOUNTING PLATE	7100P-007
3	GASKET - PROBES	7100P-155
4	FLAME RECTIFICATION PROBE (w/GASKET)	7100P-082
5	IGNITOR ELECTRODE - (w/GASKET)	7100P-094
6	10-32 X 3/8 SCREWS/#10 LOCK WASHERS	N/A
7	NUTS - 5/16-18	N/A
8	GASKET - BURNER MOUNTING FLANGE	7100P-152
9	BURNER - 130K BTU	7100P-096
	BURNER - 199K BTU	7100P-095
10	GASKET - BURNER OUTLET	7000P-361
11	GASKET - SIGHT GLASS	7000P-105
12	SIGHT GLASS (w/GASKET)	G2000
13	COMBUSTION BLOWER (w/GASKET, SIGHT GLASS)	7100P-015
14	1/4-20 BRASS NUTS/1/4 LOCK WASHERS	7100P-268
15	ADAPTER PLATE	7250P-644
16	FLAT HEAD SCREW - ADAPTER PLATE	7100P-045
17	AIR INTAKE ADAPTER - BLOWER SIDE	7500P-185
18	SWIRL PLATE - BLACK (130K BTU)	7100P-042
	SWIRL PLATE - WHITE (199K BTU)	7500P-092
19	AIR INTAKE ADAPTER - VALVE SIDE	7500P-184
20	GAS VALVE (130K BTU)	7000P-862
	GAS VALVE (199K BTU)	7000P-863
21	SCREWS - GAS VALVE	7100P-046
22	1/2" FLARE X 1/2" NPT FLEX HOSE	7100P-140
23	TUBE - AIR INLET	7500P-189
24	GAS VALVE ADAPTER (w/O-RING)	7250P-454
25	SCREWS - M4 X 20MM GAS VALVE ADAPTER	7250P-717
26	GAS SHUT-OFF VALVE	7250P-140
27	24VAC GAS VALVE COIL ONLY - GREY	7350P-624

Figure 29