

REPLACEMENT PARTS

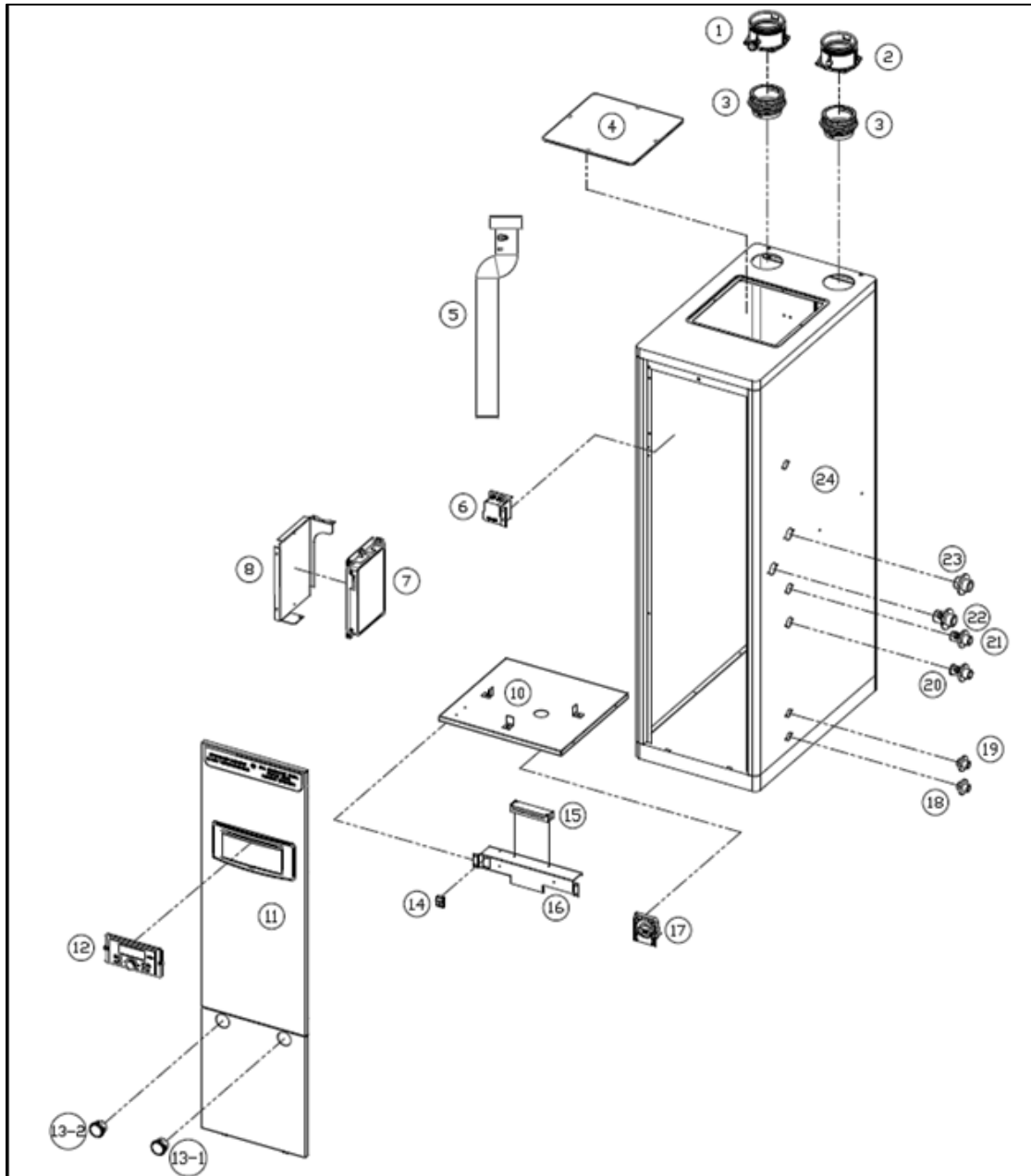


Figure 49 – Cabinet Replacement Parts

NUMBER	DESCRIPTION	PART NUMBER	NUMBER	DESCRIPTION	PART NUMBER
1	Exhaust Duct	7855P-002	13-2	DHW Pressure Gauge (0-150 PSI)	7855P-080
2	Air Intake Cap	7855P-003	14	Manual Power Switch	7855P-014
3	Exhaust and Air Intake Pipe Adapters	7855P-004	15	Terminal Block	7855P-015
4	A/S Cover	7855P-005	16	Front Bracket	7855P-016
5	Exhaust Pipe	7855P-006	17	Air Pressure Switch	7855P-017
6	Ignition Transformer	7855P-007	18	Drain Adapter	7855P-018
7	Main Control Board (PCB)	7855P-008	19	Condensate Adapter	7855P-019
8	Main Control Board (PCB) Bracket	7855P-009	20	DHW Inlet Adapter	7855P-020
9	N/A	N/A	21	DHW Outlet Adapter	7855P-021
10	Boiler Heat Exchanger Bracket	7855P-010	22	CH Return Adapter	7855P-022
11	Front Cover	7855P-011	23	CH Supply Adapter	7855P-023
12	Display Panel	7855P-012	24	Cabinet	7855P-024
13-1	CH Pressure Gauge (0-60 PSI)	7855P-013			

Table 29 – Cabinet Replacement Parts

NUMBER	DESCRIPTION	PART NUMBER	NUMBER	DESCRIPTION	PART NUMBER
31	Fan Assembly	-	51	Flow Sensor Clip	7855P-042
31-1	Fan	7855P-025	52	Flow Sensor O-Ring	7855P-047
31-2-A	Gas Orifice Nozzle (NG)	7855P-024	53	DHW Flow Sensor	7855P-083
31-2-B	Gas Orifice Nozzle (LP)	7855P-079	54	Drain Pipe Connector 1	7855P-048
31-3	Air Gas Mixer	7855P-027	55	Drain Valve	7855P-049
32-1	Outlet Gas Pipe	7855P-090	56	Drain Pipe Connector 2	7855P-050
32-2	Inlet Gas pipe	7855P-091	57	Condensate Drain Hose	7855P-051
33	Water Level Detection Sensor (Low water Cutoff)	7855P-029	58	Condensate Outlet Fitting	7855P-052
34	Flame Sensor	7855P-031	59	Condensate Trap ASSY	7855P-053
35	CH Supply Temperature Sensor	7855P-030	60	Condensate Trap Inlet Clamp	7855P-054
36	Gas Valve ASS'Y	7855P-032	61	Condensate Hose EPDM	7855P-055
36-1	Gas Outlet	7855P-033	62	Condensate Collector Pan Clamp	7855P-056
36-2	Gas Valve	7855P-034	63	Storage Temperature Sensor	7855P-057
37	CH Water Supply 1 (Upper)	7855P-036	64	Water Storage Tank Bracket	7855P-058
38	CH Water Supply 2 (Lower)	7855P-037	65	DHW Tank ASSY	7855P-059
39	Internal Primary CH Pump	7855P-081	66	Heat Exchanger Long Bolt Set (5 Bolts)	7855P-060
40	CH Return Pipe	7855P-038	67	Condensate Collector Pan	7855P-061
41-1	Storage Tank Outlet Pipe (Upper)	7855P-039	68	Air Vent Pipe	7855P-062
41-2	Storage Tank Inlet Pipe (Lower)	7855P-040	69	Air Vent	7855P-063
42	Internal DHW Circulation Pump	7855P-081	70	Heat Exchanger ASSY	7855P-064
43	Storage Tank Outlet Pipe	7855P-082	71	Burner ASSY	7855P-065
44	DHW Outlet Pipe	7855P-041	71-1	Burner Overheat Sensor	7855P-066
45	Mixing Valve Outlet Clip	7855P-042	71-2	Burner Body	7855P-067
46	Mixing Valve	7855P-043	71-3	Ignition Rod	7855P-068
47	Mixing Valve Outlet O-Ring	7855P-044	71-4	Ceramic Fiber Burner	7855P-069
48	Mixing Valve Inlet Clip	7855P-042	72	Burner ASSY Bracket	7855P-070
49	Mixing Valve Inlet O-Ring	7855P-045	73	Air intake Pipe	7855P-071
50	DHW Inlet Pipe	7855P-046			

Table 30 – Combustion System Replacement Parts