

Figure 21 – DHW Piping, Single Water Heater

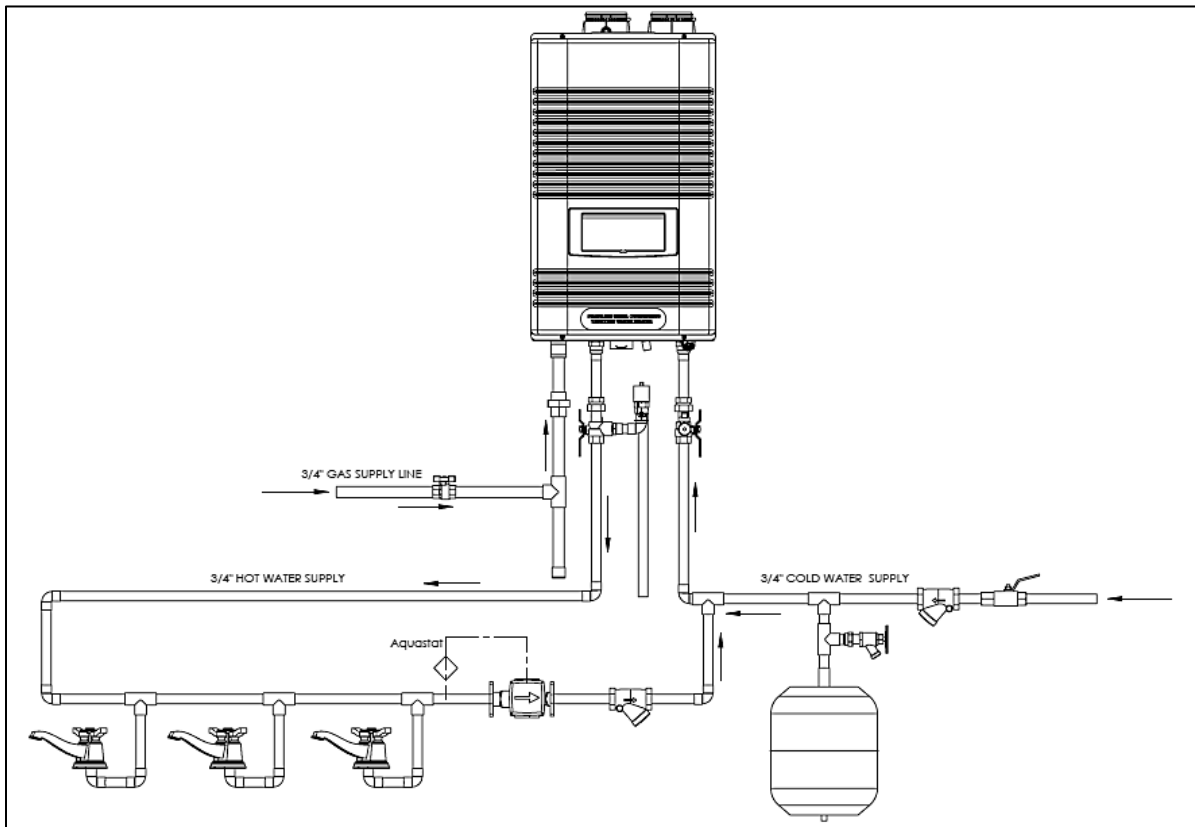


Figure 22 – Piping with Recirculation

NOTE: These drawings are meant to show system piping concept only. Installer is responsible for all equipment and detailing required by local codes.

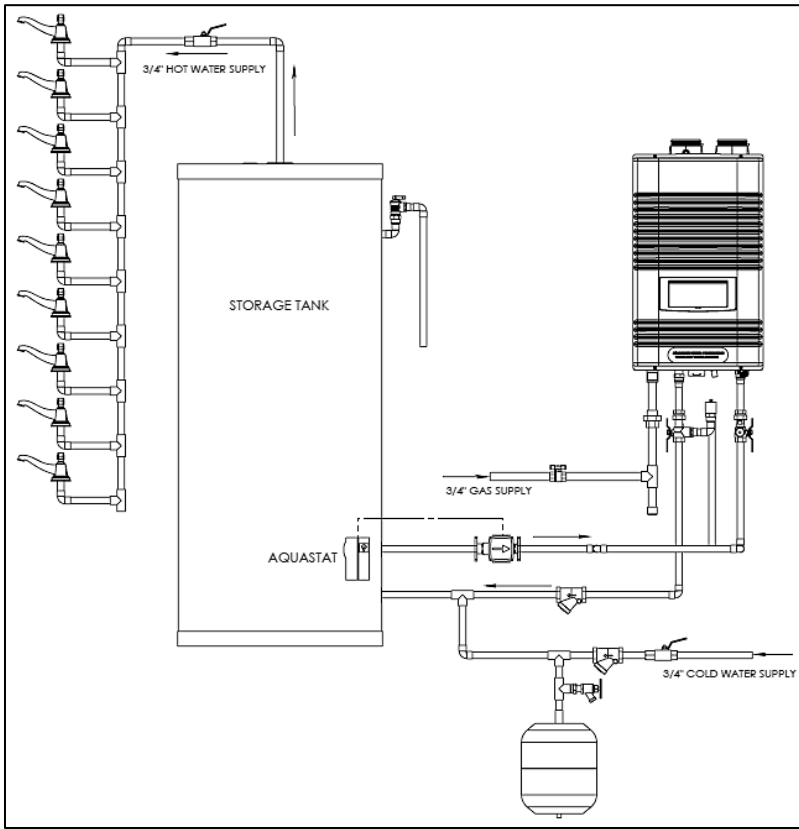


Figure 23 – Water Heater with Storage Tank

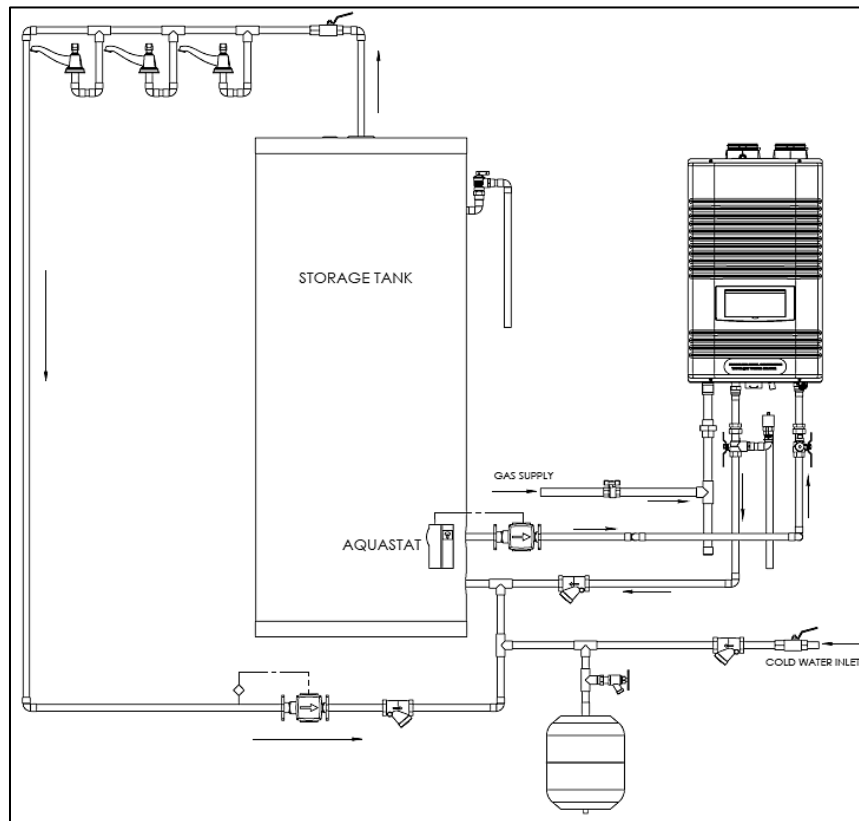


Figure 24 – Water Heater with Storage Tank and Recirculation

NOTE: These drawings are meant to show system piping concept only. Installer is responsible for all equipment and detailing required by local codes.

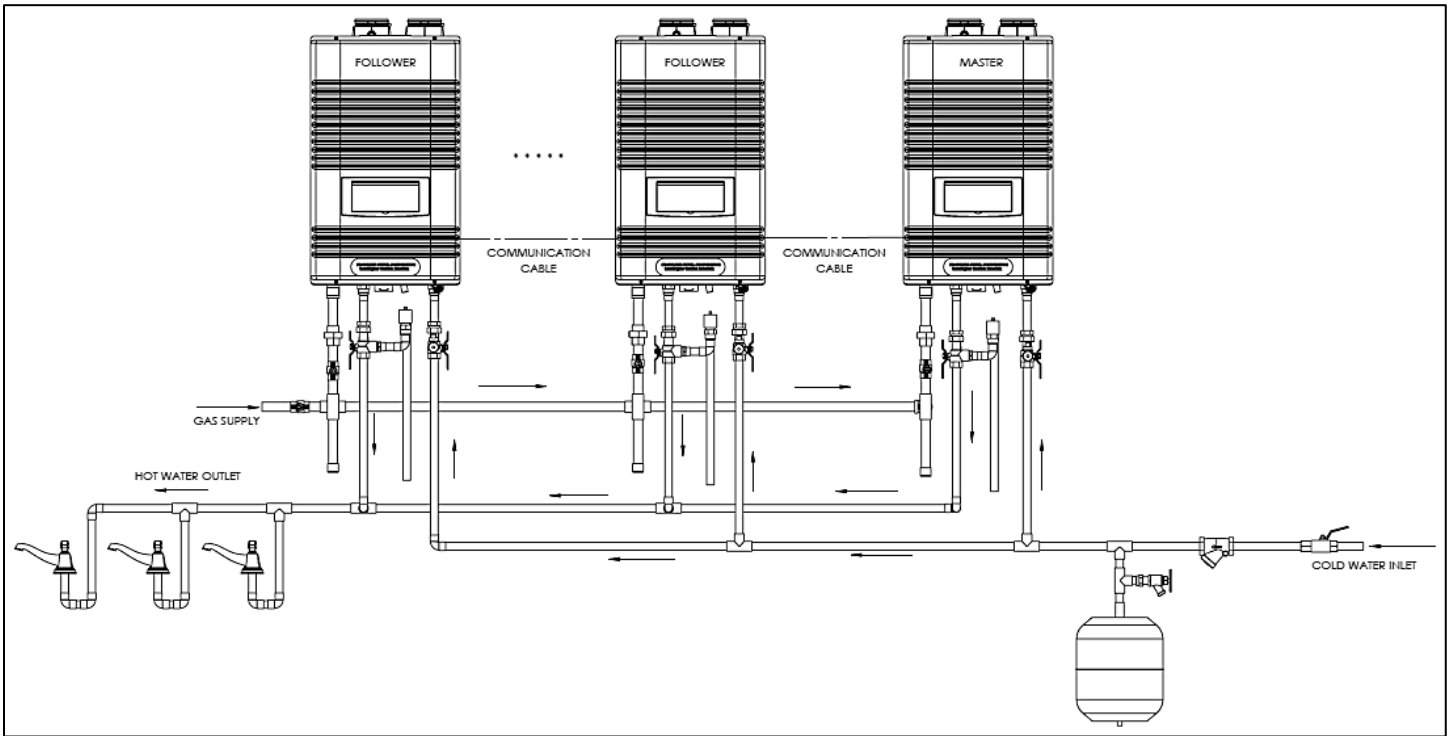


Figure 25 – Multiple Water Heater Piping – Cascaded System

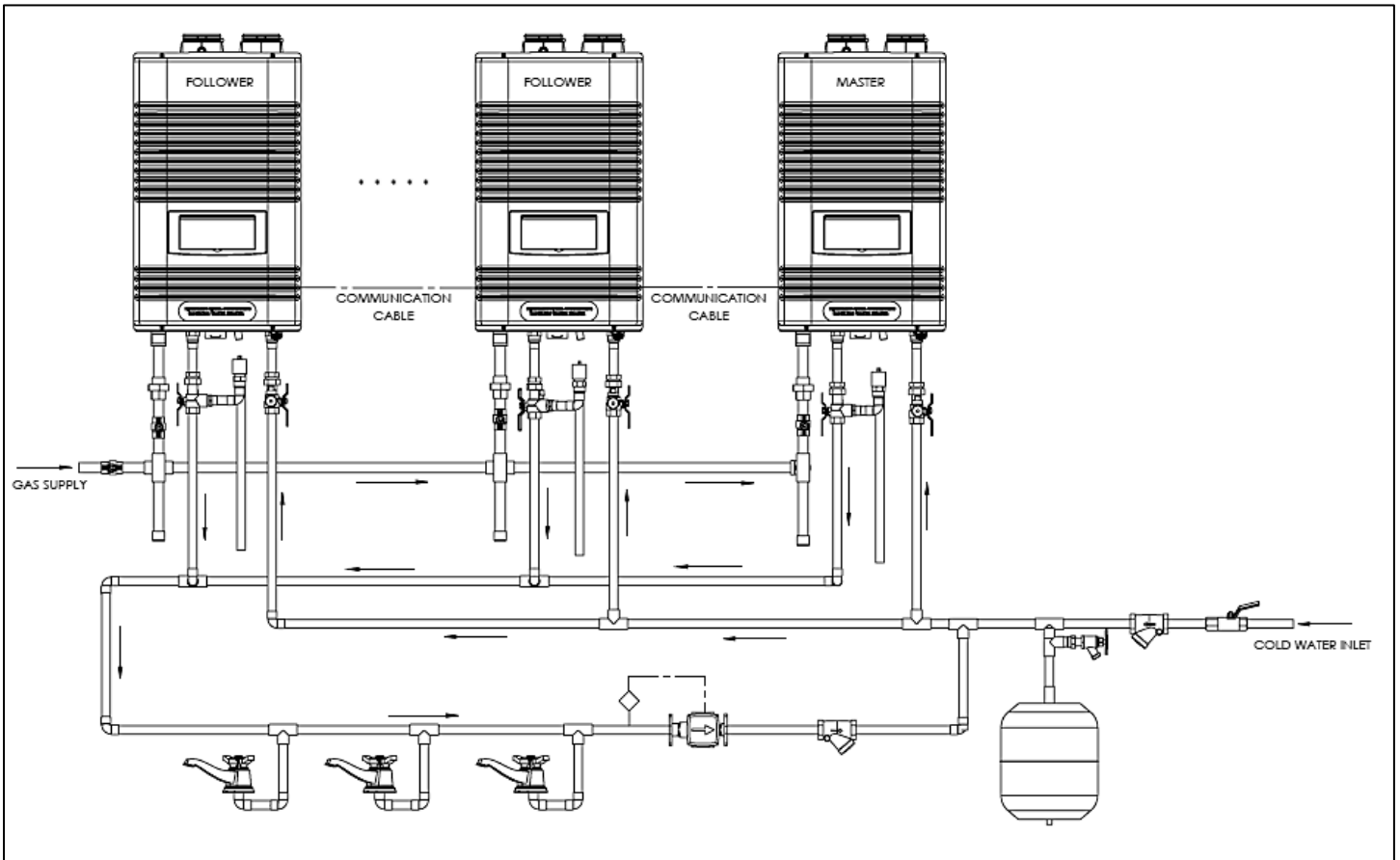


Figure 26 – Multiple Water Heater Piping – Cascaded System - Recirculation

NOTE: These drawings are meant to show system piping concept only. Installer is responsible for all equipment and detailing required by local codes.

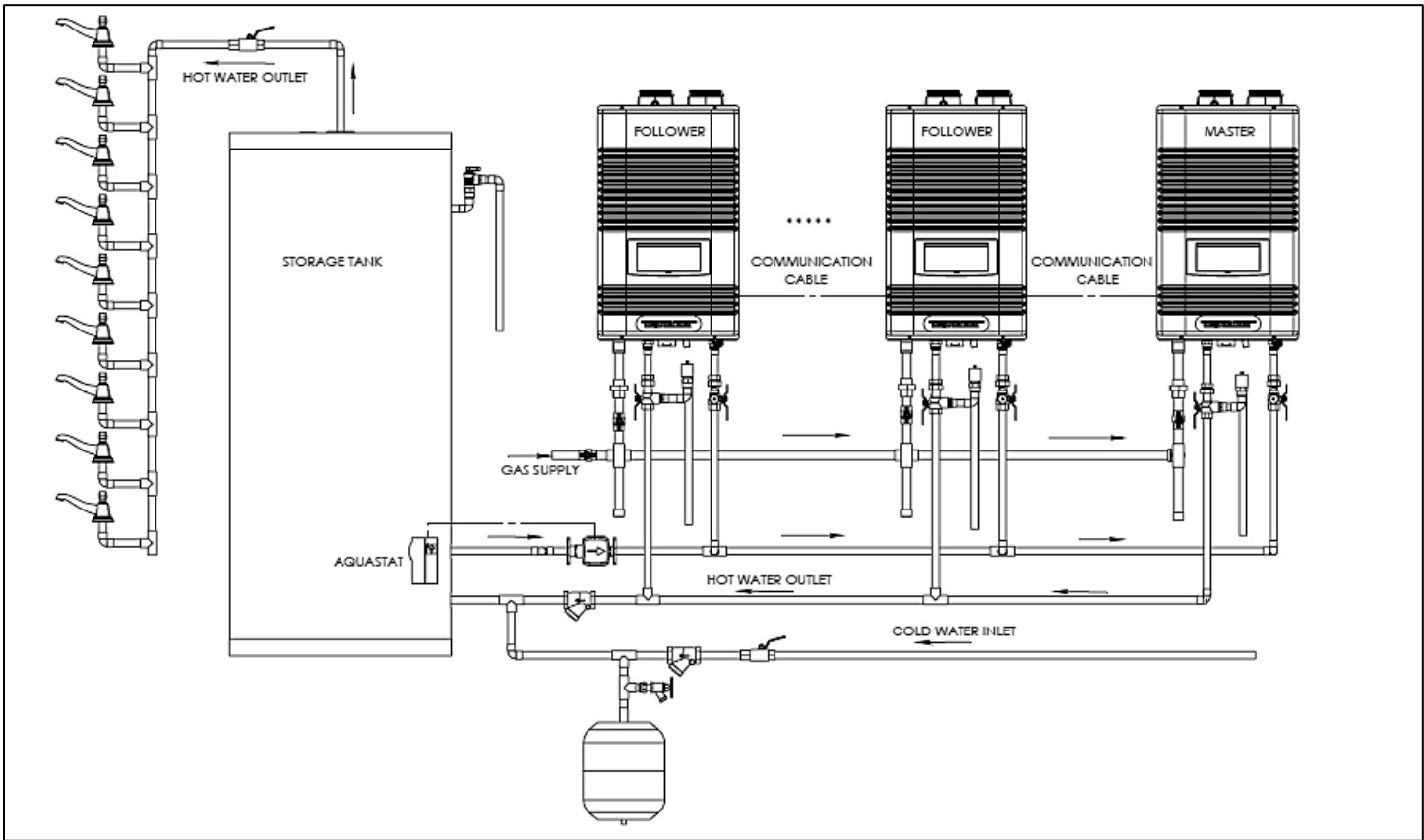


Figure 27 – Multiple Water Heater Piping – Cascaded System with Storage Tank

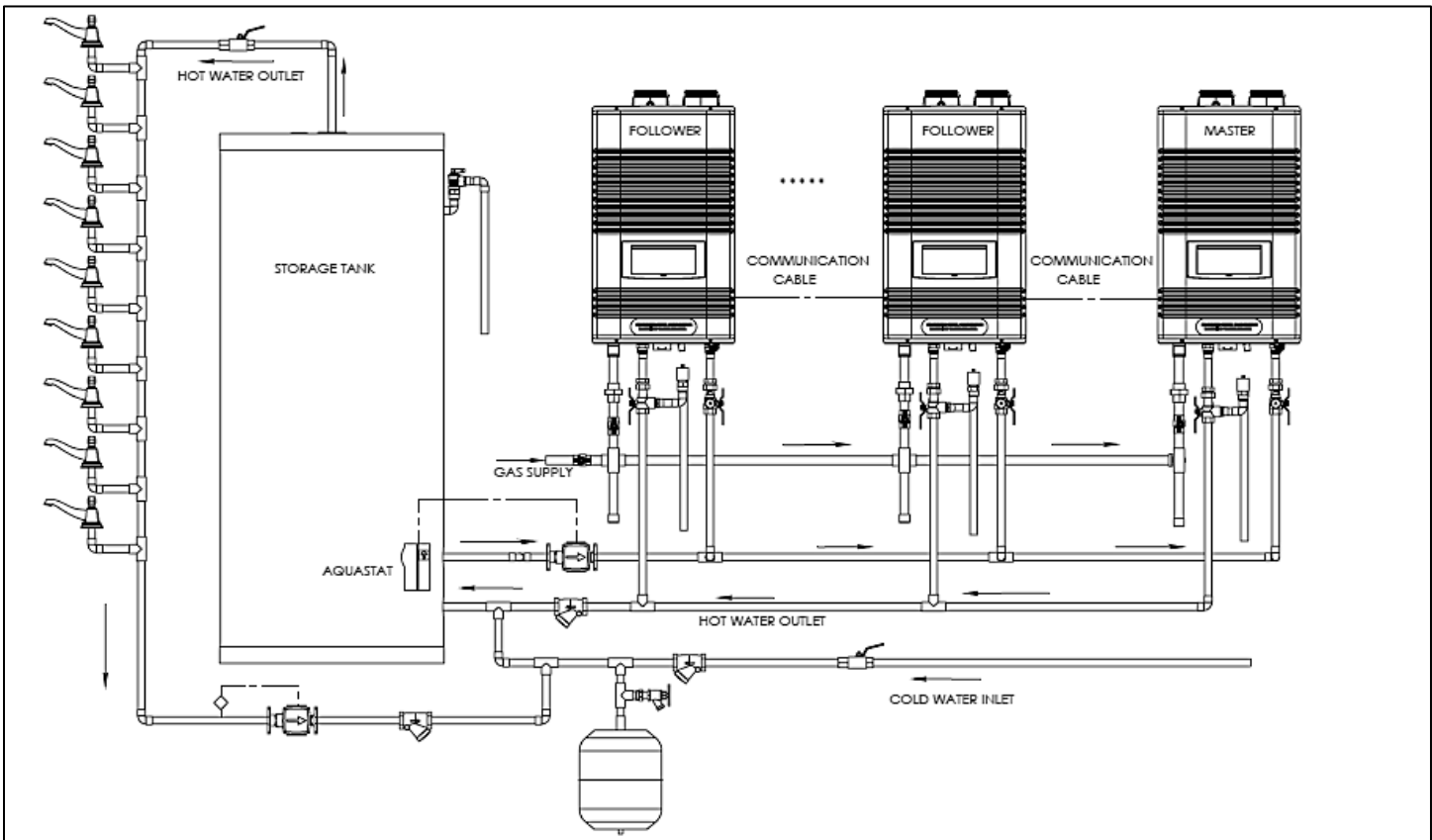


Figure 28 – Multiple Water Heater Piping – Cascaded System with Storage Tank and Recirculation