



Mod Con VWH Commercial Condensing Hot Water Supply Boiler Submittal

JOB NAME:

LOCATION:

ARCH./ENGR.:

WHOLESALE:

MECH. CONTRACTOR:

MODEL NUMBER:

TYPE OF GAS:

BTU/HR INPUT LOW - HIGH FIRE:

NOTES:

Heat Exchanger

- All Stainless Steel Construction. 160 PSI ASME stamped construction. National Board listed.
- Gasketless heat exchanger design
- ASME 150 PSI relief valve
- Front service access to combustion chamber and burner
- Inlet and outlet temperature sensor

Combustion System

- Modulating burner with up to 5 to 1 turndown
- Up to 98% thermal efficiency
- High-Grade Inconel burner design
- Spark ignition
- Models available for Natural or LP Gas
- Dual flame monitoring (Spark and Flame probe)
- Gas Valve pressure range 3 1/2" minimum to 14" maximum Water Column

Integrated Control System

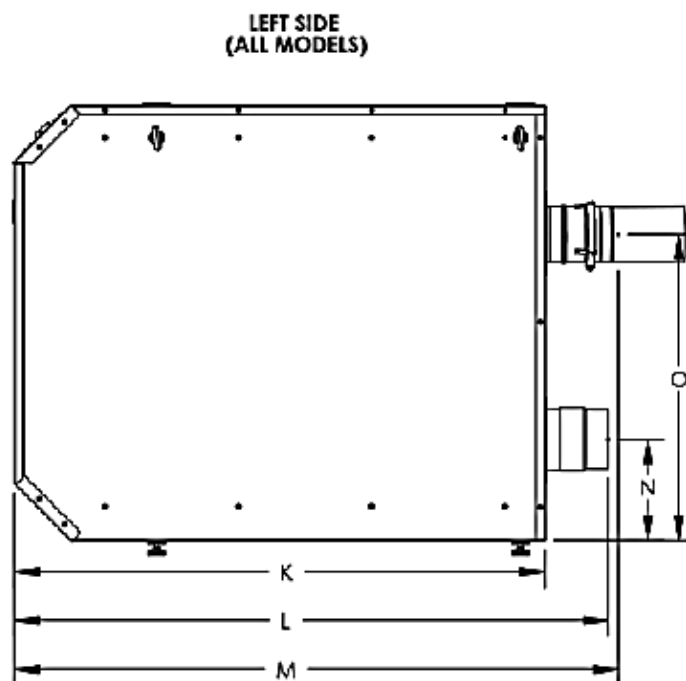
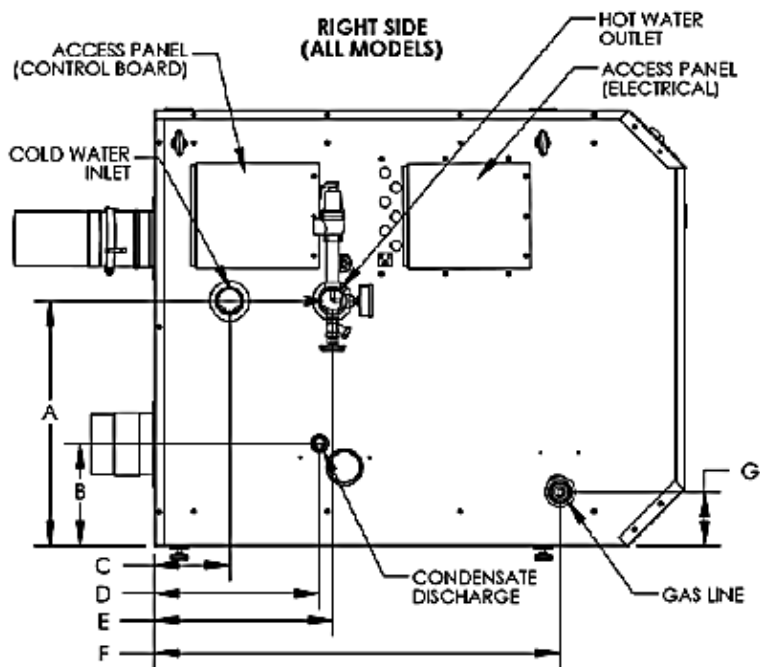
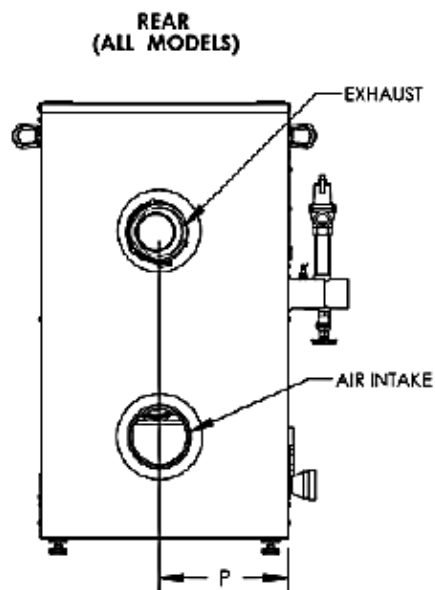
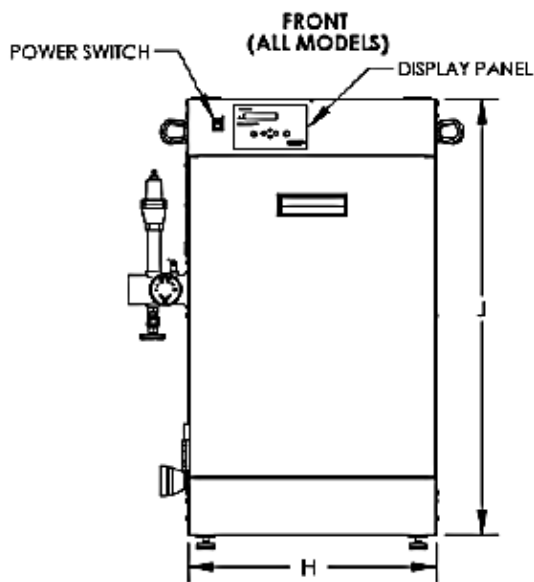
- 926 Digital operating control with LED display
- LED indicators for System Pump – Boiler Pump – DHW Pump – System Fault – System Operation – Freeze Protection – Flame On – Fault Indication
- On/Off Switch
- Password protected
- Multiple 120 volt pump outputs – boiler pump – system pump - DHW pump
- 24 volt monitoring
- 0-10 VDC input from a building management system
- Boiler output regulation (adjustment of boiler output down to 50% of rated capacity)
- Cascade up to 8 boilers

Additional Features

- Superior condensate collection system with float switch
- A/C convenience receptacle for condensate pump
- 5 year limited warranty
- Vents in PVC - CPVC - stainless steel – up to 200 equivalent feet (combined intake and exhaust)
- Optional stacking kit double stacks boilers for space savings
- Flow Switch
- Built-in low water cut-off
- Field wiring connection board / Cascade wiring CAT 3 or 5
- Adjustable leveling legs
- Flue / Water high temperature limit with Manual reset
- Dry contact for alarm output
- Blocked vent pressure switch
- Pressure and temperature gauge
- System / Pipe sensor – one (1) supplied with unit

Optional Equipment

- Indirect Sensor (Part # 7250P-325)
- Additional System Sensor (Part # 7250P-324)
- 4" Stainless Steel Outside Termination Vent Kit (Part # V2000)
- 6" Stainless Steel Outside Termination Vent Kit (Part # V3000)
- High and Low Gas Pressure Switch Kit with Manual Reset (Part # 7350P-600)
- U.L. 353 Compliant Low Water Cut-Off Interface Kit w/ Manual Reset (Part # 7450P-225)
- Alarm System to monitor any failure (Part # 7350P-602)
- Condensate Neutralizer (Part # 7350P-611)
- Boiler Stacking Kit (Part # 7350P-603)
- Boiler Caster Kit (Part # 7350P-604)
- PC Connection Cable w / Software (Part # 7350P-320)



MODEL	A	B	C	D	E	F	G	H	J	K	L	M	N	O	P
500 VWH	20"	14-3/4"	6-1/4"	13-1/4"	14-1/2"	33-1/4"	5-1/8"	20-1/2"	36"	43-3/4"	46"	48"	8-1/4"	25-1/2"	10-1/2"
700 VWH	20"	20"	6-1/4"	16-1/4"	18-3/4"	43-1/2"	20"	20-1/2"	36"	62-1/4"	68-1/2"	73"	8-1/4"	25-1/2"	10-1/2"
850 VWH			6-1/4"	16-1/4"	18-3/4"	43-1/2"	20"	20-1/2"	36"	62-1/4"	68-1/2"	73"	8-1/4"	25-1/2"	10-1/2"

MODEL	BTU/HR INPUT RANGE	Gross Output BTU/hr	Net I=B=R BTU/hr	Thermal Efficiency	Boiler Water	Supply/Return Connection	Gas Conn.	Vent Dia.	Ship. Wt.	High Fan Speed	Low Fan Speed	Fan Speed at Ignition
500 VWH	100,000 - 500,000	470,000	409,000	98%	4.2 gal.	2"	1-1/2"	4"	505	7200	1950	3000
700 VWH	170,000 - 700,000	686,000	572,600	97%	5.8 gal.	2"	2"	6"	580	5700	2200	3000
850 VWH	170,000 - 850,000	799,000	695,000	97%	5.8 gal.	2"	2"	6"	580	6600	2200	3000

NOTE: ALL DIMENSIONS ARE APPROXIMATE AND HEIGHTS DO NOT INCLUDE ADJUSTABLE LEGS.

LP-446-B
10/07/16