



Versa-Hydro Combination Hydronic Appliance Submittal Sheet

JOB NAME:

LOCATION:

ARCH. / ENGR:

WHOLESALER:

MECH. CONTRACTOR:

MODEL NUMBER:

TYPE OF GAS:

BTU/HR INPUT LOW – HIGH FIRE:

NOTES:

Tank/Combustion Heat Exchanger

- Storage Tank 316L Stainless Steel Construction
- 90/10 Copper Nickel Heat Exchanger
- Front service access to combustion chamber and burner

Combustion System

- Modulating burner based on heat demand
- Up to 5 to 1 turn down ratio
- 96% Thermal Efficiency (All Models)
- 98% Combustion Efficiency
- High Grade Inconel Burner
- Spark Ignition
- Models Available for Natural or LP Gas

Hydronic Heating Module

- Pre-Plumbed Hydronic Module with Brazed Plate Heat Exchanger
- System Line Connection of 1" NPT
- Working System Pressure of 15 PSI
- Pressure Relief Valve designed to relieve pressure greater than 30 PSI (Higher relief valve capacities available)

Control System

- Total System Control – Monitors Outdoor Temperature -Tank Temperature and Heating Module Outlet Temperature to match system design
- Password Protected
- Outdoor reset with Indirect Priority
- Modulating Pump Control on Heating Module
- 24 Volt monitoring

Additional Features

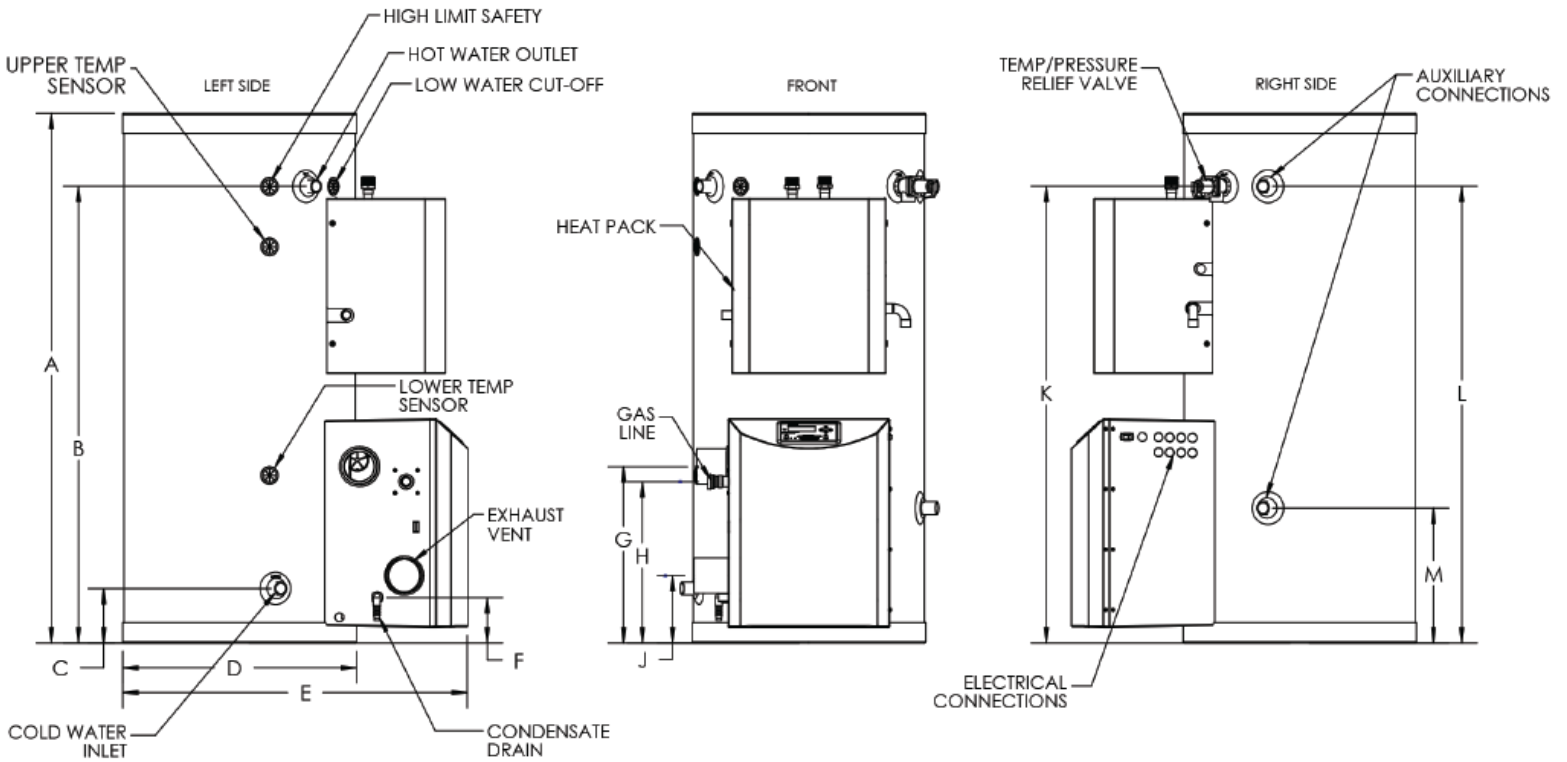
- Built in Condensate trap
- Mixing valve Certified to ASSE 1017
- Vents in Plastic PVC - CPVC - Stainless Steel – ULC S636 flexible polypropylene vent liner (chimney lining only)
- 12 Year Limited Warranty
- Built In Low Water Cut – Off
- Manual Reset High Temperature Limit
- Dry Contact for Alarm Output
- Lead Free Compliant, as required by the Safe Drinking Water Act, Section 1417

Certifications

- ETL Listed
- AHRI Certified
- CSA Listed Controls
- Low NOx emissions – SCAQMD Certified

Optional Equipment

- Outdoor Sensor (Part # 7250P-319)
- 2" PVC Concentric Vent Kit (Part # KGAVT0501CVT)
- 3" PVC Concentric Vent Kit (Part # KGAVT0601CVT)
- 2" Stainless Steel Outside Termination Vent Kit (Part # V500)
- 3" Stainless Steel Outside Termination Vent Kit (Part # V1000)
- 4" Stainless Steel Outside Termination Vent Kit (Part # V3000)
- Condensate Neutralizer (Part # 7450P-212)
- PC Connection Cable w / Software (Part # 7250P-738)
- Alarm System to monitor any failure (Part # 7350P-602)



| VERSA-HYDRO WATER HEATER DIMENSIONS | | | | | | | | | | | | | |
|-------------------------------------|---------|-----|---------|--------|-----|-----|--------|---------|-----|--------|---------|---------|---------|
| MODEL #* | GALLONS | A | B | C | D | E | F | G | H | J | K | L | M |
| PHE130-55 / PHE199-55 | 55 | 53" | 45" | 5" | 23" | 34" | 4" | 17-1/2" | 16" | 6-1/2" | 45" | 45" | 13" |
| PHE130-80 / PHE199-80 | 80 | 72" | 64-1/2" | 5-1/2" | 23" | 34" | 6-1/4" | 19-1/2" | 18" | 8-1/2" | 64-1/2" | 64-1/2" | 13" |
| PHE130-119 / PHE199-119 | 119 | 74" | 66" | 7-1/4" | 27" | 37" | 7-1/2" | 20-1/2" | 19" | 9-1/2" | 66" | 66" | 14-1/2" |

| VERSA-HYDRO WATER HEATER SPECIFICATIONS | | | | | | | | |
|---|---------|------------------|-------------------------------|--------------------------|-----------------|----------------|-------------------------|-----------------|
| MODEL #* | GALLONS | INPUT MODULATION | AIR INTAKE/ EXHAUST VENT SIZE | WATER INLET/ OUTLET SIZE | AUXILIARY CONN. | GAS LINE CONN. | SYSTEM RELIEF PIPE SIZE | SHIPPING WEIGHT |
| PHE130-55 / PHE199-55 | 55 | 30,000 - 130,000 | 2" | 1" NPT | 1" FNPT | 3/4" | 3/4" | 205 LBS. |
| | | 40,000 - 199,000 | 3" | | | | | |
| PHE130-80 / PHE199-80 | 80 | 30,000 - 130,000 | 2" | 1" NPT | 1" FNPT | 3/4" | 3/4" | 265 LBS. |
| | | 40,000 - 199,000 | 3" | | | | | |
| PHE130-119 / PHE199-119 | 119 | 30,000 - 130,000 | 2" | 1" NPT | 1" FNPT | 3/4" | 3/4" | 435 LBS. |
| | | 40,000 - 199,000 | 3" | | | | | |

* A Suffix of "N" denotes natural gas and "LP" denotes propane gas
 ALL DIMENSIONS ARE APPROXIMATE

LP-314-X
 12/16/16