



## Elite Plus Boiler

**JOB NAME:**

**LOCATION:**

**ARCH. / ENGR.:**

**WHOLESALER:**

**MECH. CONTRACTOR:**

**MODEL NUMBER:**

**TYPE OF GAS:**

**BTU/HR INPUT LOW - HIGH FIRE:**

**NOTES:**

### Heat Exchanger

- All Stainless Steel 160 PSI ASME Stamped Construction - National Board listed
- Gasketless Heat Exchanger Design
- 30 PSI Relief Valve
- Front service access to combustion chamber and burner
- Inlet and outlet temperature sensor

### Combustion System

- Blower with Mass Flow Sensor
- Electronic control gas regulation with stepper motor gas valve
- Modulating burner with up to 10 to 1 turndown
- Up to 92.7% AFUE
- High Grade Stainless Burner Design with laser welded thermocouple
- Spark Ignition
- Models operate on either Natural or LP Gas
- Dual Flame monitoring (Flame probe / Burner thermocouple)

### Integrated Control System

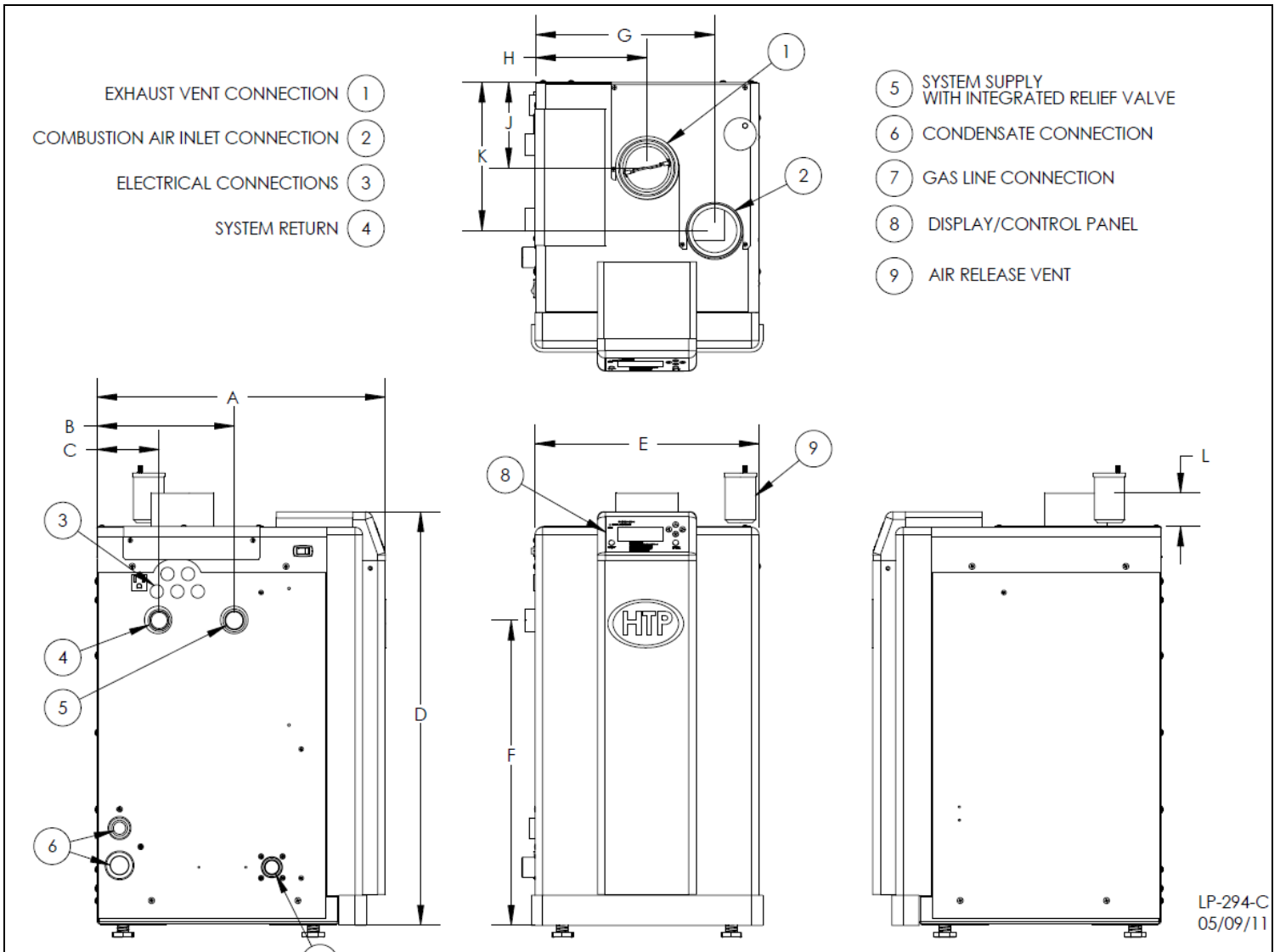
- Digital operating control with 4 line 40 character for System Operation and Faults
- Outdoor reset with Indirect Priority
- Multiple 120 volt pump outputs – Boiler Pump – System Pump – DHW Pump
- Boiler Boost function increases temperature and achieves faster recovery with night set thermostats
- 0-10 VDC input for Building Management System through optional Interface Module
- Boiler Output regulation (Adjustment of boiler output down to 50 percent of rated capacity)
- Cascade up to 16 boilers
- 5 different Heating configurations and 3 Indirect Water Heater configurations
- Maintenance indicators based on run time or date

### Additional Features

- Combination Outlet Fitting to simplify connections
- Superior condensate collection system with float switch
- Vents in Plastic PVC - CPVC - Stainless Steel – ULC S636 flexible polypropylene vent liner (chimney lining only)
- Vents up to 200 combined equivalent feet
- Reduce vent connection size from 3” to 2”
- 12 Year Limited Warranty
- Manual reset high temperature limit
- Adjustable leveling legs
- Field wiring board / Cascade wiring CAT 5 / CAT 3

### Optional

- System Sensor (Part # 7250P-324)
- Indirect Sensor (7250P-325)
- 3” Polypro Flex Vent Kit (8400P-001)
- 3” PVC Concentric Vent Kit (KGAVT0601CVT)
- 3” Stainless Steel Termination Vent Kit (V1000)
- 4” Stainless Steel Termination Vent Kit (V2000)
- Condensate Neutralizer (7450P-212)
- Wall Mount Kit (7450P-211)



MODEL*	A	B	C	D	E	F	G	H	J	K	L	SHIPPING WEIGHT
ELP-110	19"	9"	3"	27.3"	15"	20"	11.8"	7.4"	5.8"	10"	2.2"	113 lbs.
ELP-199	27"	18"	6"	27.3"	15"	20"	11.8"	7.4"	4.3"	9"	2.2"	164 lbs.

MODEL	BTU/INPUT LOW – HIGH FIRE	DOE HEATING	IBR	SUPPLY / RETURN	EXHAUST / AIR INLET	GAS CONNECTION
ELP-110	22,000-110,000	20,200-101,000	88,000	1"	3"	3/4"
ELP-199	44,000-220,000	40,600-203,000	177,000	1"	3"	3/4"