



HTP • 272 Duchaine Blvd, New Bedford, MA 02745 • www.htproducts.com

Mod Con VWH Commercial Condensing Hot Water Supply Boiler Submittal (1,000,000 / 1,700,005 BTU Models)

JOB NAME:

LOCATION:

ARCH./ENGR.:

WHOLESALE:

MECH. CONTRACTOR:

MODEL NUMBER:

TYPE OF GAS:

BTU/HR INPUT LOW – HIGH FIRE:

NOTES:

Heat Exchangers

- All Stainless Steel 160 PSI ASME stamped construction
- National Board listed
- Gasketless heat exchanger design
- ASME 150 PSI relief valves
- Front service access to combustion chambers and burners
- Inlet and outlet temperature sensors

Combustion Systems

- Modulating burner systems with 10 to 1 turndown
- Up to 98% thermal efficiency
- High-Grade Inconel burner design
- Spark ignition
- Models available for Natural or LP Gas
- Dual flame monitoring (Spark and Flame probes)
- Gas Valve pressure range 3 ½" minimum to 14" maximum Water Column

Integrated Control Systems

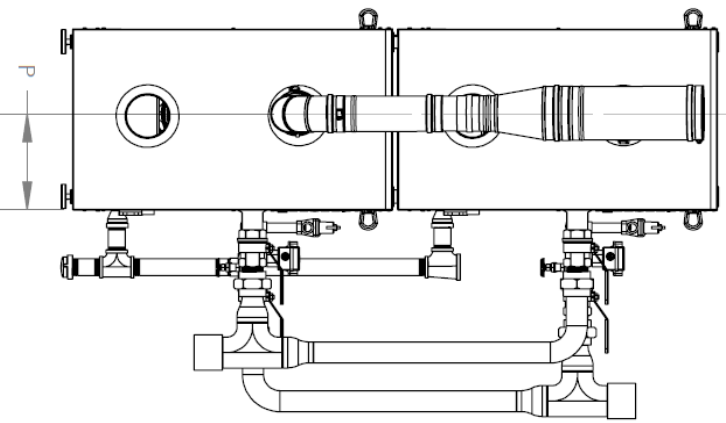
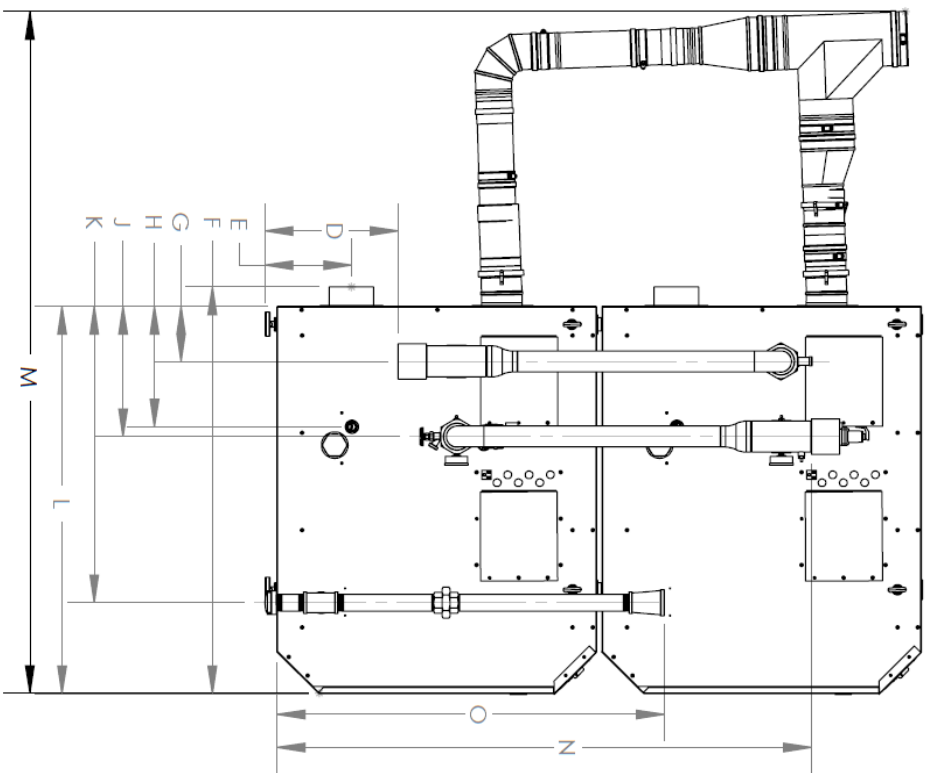
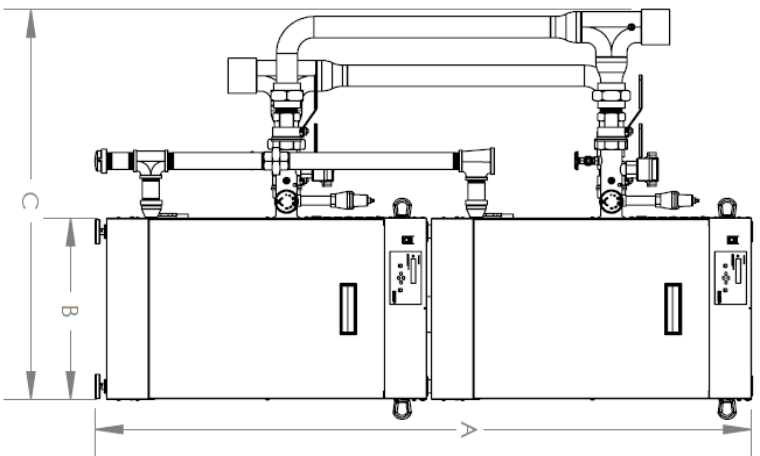
- 926 Digital operating controls with LCD displays
- LCD indicators for Boiler Pump – System Fault – System Operation – Freeze Protection – Flame On – Fault Indication
- On/Off Switches
- Password protected
- Multiple 120 volt pump outputs – boiler pump
- 24 volt monitoring
- 0-10 VDC inputs from a building management system
- Boiler output regulation (adjustment of boiler output down to 50% of rated capacity)
- Cascade up to 4 boilers
- Field wiring connection boards / Cascade wiring CAT 3 or 5

Additional Features

- Superior condensate collection systems with float switches
- A/C convenience receptacles for condensate pump
- 5 year limited warranty
- Vents in stainless steel – PVC/CPVC (with optional adapter) – up to 150 equivalent feet (combined intake and exhaust)
- Flow Switches
- Built-in low water cut-offs
- Adjustable leveling legs
- Flue / Water high temperature limits with Manual resets
- Dry contact for alarm output
- Blocked vent pressure switches
- Pressure and temperature gauges
- System / Pipe sensor – one (1) supplied with unit
- Lead Free Compliant, as required by the Safe Drinking Water Act, Section 1417

Optional Equipment

- Tank Sensor (Part # 7250P-325)
- Pipe Sensor (Part # 7250P-324)
- High and Low Gas Pressure Switch Kit with Manual Reset (Part # 7350P-600) (Two Kits are Required)
- U.L. 353 Compliant Low Water Cut-Off Interface Kit w/ Manual Reset (Part # 7450P-225) (Two Kits are Required)
- Alarm System to monitor any failure (Part # 7350P-602) (Top Boiler Only)
- Condensate Neutralizer (Part # 7350P-611)
- Boiler Caster Kit (Part # 7350P-227)
- PC Connection Cable w / Software (Part # 7250P-738)
- MODBUS / BACnet (Part # 7350P-636)
- Stainless to PVC Vent Adapter (6" - Part # 7350P-275, 8" Part # 7350P-375)



LP-429-D
03/12/18

MODEL	A	B	C	D	E	F	G	H	J	K	L	M	N	O	P
1000 VWH	72-1/2"	20-1/2"	45.5"	13-3/4"	8-3/8"	46"	6"	13-5/8"	14-1/2"	33-1/4"	43-3/4"	66-3/4"	63-1/4"	43-3/8"	10-5/8"
1700 VWH	72-1/2"	20-1/2"	45.5"	13-3/4"	8-3/8"	64-1/2"	8-1/4"	20"	18-3/4"	43-1/2"	62-3/8"	88-1/2"	63-1/4"	59"	10-5/8"

MODEL	BTU/HR INPUT RANGE	GROSS OUTPUT BTU/HR	NET I=B=R BTU/HR	THERMAL EFFICIENCY	BOILER WATER (GAL.)	SUPPLY/RETURN CONNECTION	GAS CONNECTION	VENT DIA.	SHIPPING WEIGHT
1000 VWH	100,000 - 1,000,000	970,000	843,900	97%	8.4	3"	2"	6"	1010
1700 VWH	170,000 - 1,700,005	1,666,005	1,449,420	98%	11.6	3"	2-1/2"	8"	1160

NOTE: ALL DIMENSIONS ARE APPROXIMATE AND HEIGHTS DO NOT INCLUDE ADJUSTABLE LEGS.

Model		1000	1700
Installation		Indoor, Floor Standing, Fully Condensing	
Minimum / Maximum Input (Btu/Hr)		100,000 / 1,000,000	170,000 / 1,700,005
Heating Capacity (MBH)		970	1666
Flue System		Category IV, Sealed Combustion Direct Vent, Power Vent	
Minimum Combined Vent Run		16 feet	
Maximum Combined Vent Run		6" (150 feet)	8" (150 feet)
Approved Exhaust Vent Materials		PVC, CPVC, PP, Stainless Steel	
Shipping Weight (lbs)		1010	1160
Gas Supply Pressure	NG	3.5" to 14" WC	
	LP		
Manifold Pressure	Min / Max	NG/LP: -0.01" WC	
Power Supply		120V 60 Hz, 6.3A	
General Operating Conditions		Ambient Temperature Range: 33 – 104°F (0.6 – 40°C) Product Approvals and Requirements: ANSI Z21.13 / CSA 4.9	
Ignition System		Direct Electronic Spark Ignition / Flame Rectification	
Burner System		Premixed Fuel Modulation / Stainless Steel Metal Fiber Burner	
Gas Valve System		Air Ratio Valve	
Dimensions (in Inches)	W	45.50	
	H	72.5	
	D	66.75	88.5
Boiler Water Content (Gallons)		8.4	11.6
Minimum Flow Rate @ 30°F ΔT (GPM)		66	109
DHW Setpoint Temperature Range		95 – 180°F	
Water Pressure (PSI)	Heat Exchanger MAWP	160	
	Pressure Relief Valve	150	
Control Panel / Main Controller		LCD Display with LED Indicators / 926 SIT Control	
Connection Sizes	Supply / Return	3" NPT	
	Gas Inlet	2" NPTF	2 1/2" NPTF
Materials	Cabinet	Powder Coated Galvaneal Steel	
	Heat Exchanger	316L Stainless Steel Water Tube	
Safety Devices		Flame Rectifier Probe, Water Temperature High Limit Switch (190°F), Freeze Protection, Condensate Trap with Overflow Switch, Included LWCO (Optional UL 353 LWCO), Blocked Vent Pressure Switch, Optional Gas High/Low Pressure Switch, Flow Switch	

NOTE: HTP reserves the right to make product changes or updates without notice and will not be held liable for typographical errors in literature.