



Residential Electric Water Heaters

Job Name:	Location:
Engineer:	Wholesaler:
Mechanical Contractor:	Notes:
Model Number:	
Electrical Specifications:	

Electric Water Heater Models

- Available in 40 and 52 gallon capacities
- Standard configuration is 240V, Single Phase, Non-Simultaneous Operation
- Example Model Number: EVR040C2X045

Construction

- 316L stainless steel tank tolerates high temperatures and offers superior corrosion resistance
- Super-insulated for minimal heat loss and energy efficiency
- Outer jacket features attractive stainless steel appearance
- Water connections on the top of the water heater ease installation
- Top hot water outlet draws the hottest water from the tank
- Top cold water inlet with dip tube directs cold water to the lower heating element, minimizing the mixing of cold and heated water and providing long draws of hot water
- 3/4" inlet and outlet nipples constructed of durable brass
- Electric Junction Box located on top of water heater for easy wiring and installation

Long Life Electric Elements / Thermostat High Limit Control

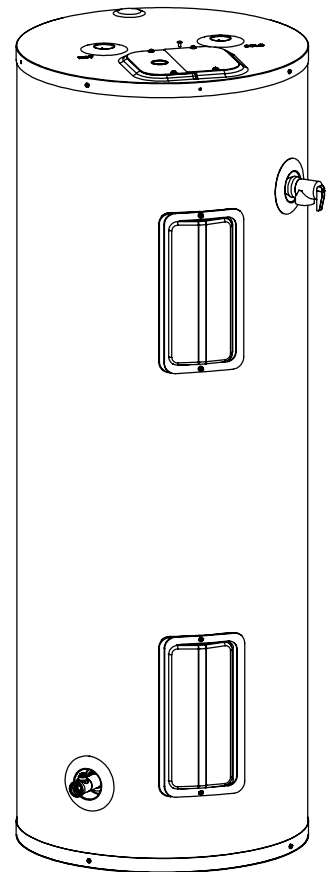
- Highest quality elements in the industry increase corrosion resistance, reducing the chance of element burnout and providing longer service life than conventional elements
- Immersed elements allow maximum recovery efficiency and direct, 98% efficient heat transfer
- Adjustable surface mounted thermostat provides years of reliable, trouble-free water temperature control
- Fully automatic high limit controls provide adequate temperature control and overheat protection - manual reset cutoff

Additional Features

- Extended Limited Warranty if registered online - Extends coverage against inner tank leakage from the date of installation - One (1) year coverage on component parts
- Included ASME rated Temperature and Pressure Relief Valve
- Included Brass Drain Valve

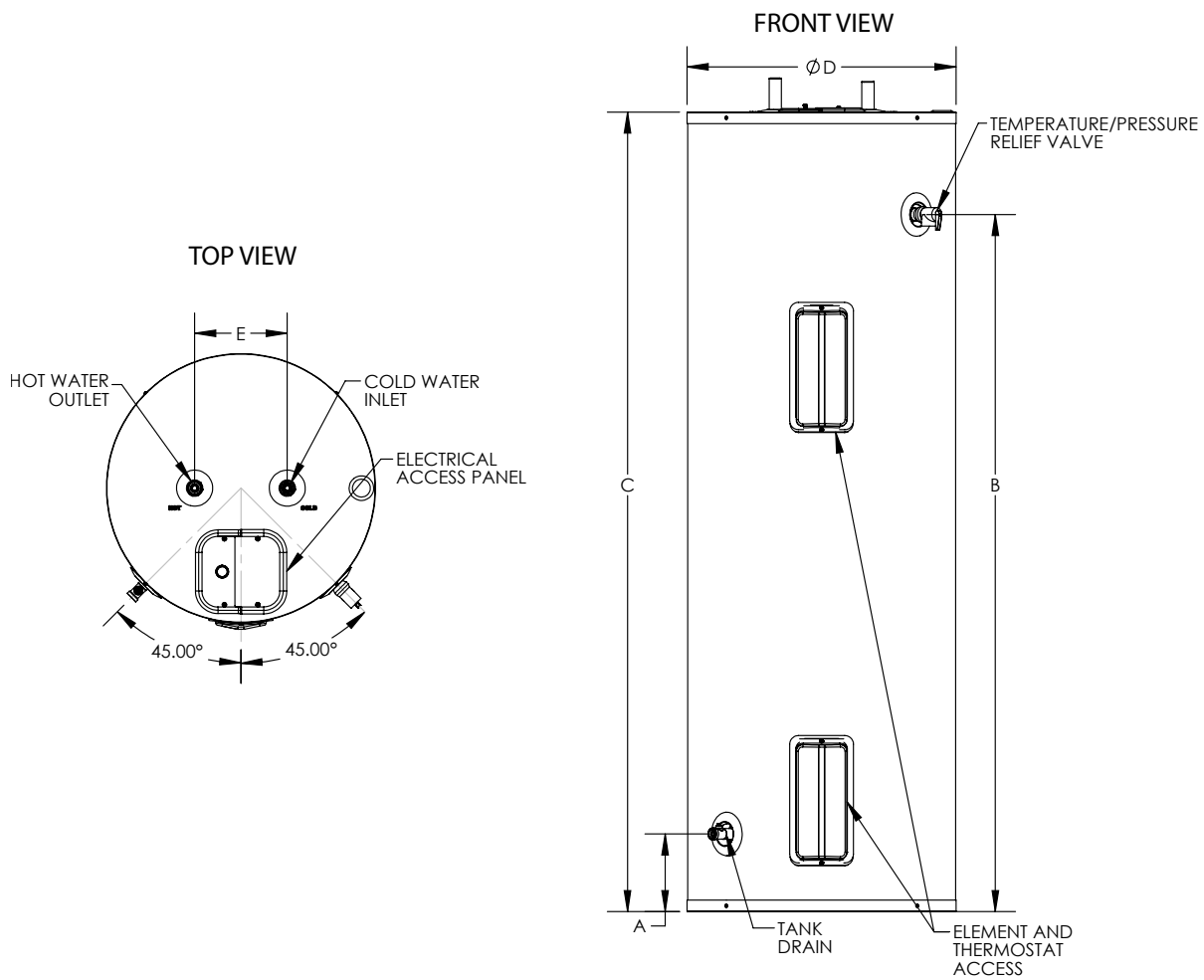
Certifications and Ratings Efficiency

- ETL Design Certified to meet UL Standard 174 for Household Electric Water Heaters
- North Carolina code compliant
- Lead Free compliant per the Safe Drinking Water Act, Section 1417
- Meets or exceeds ANSI requirements and tested according to DOE procedures
- Meets or exceeds the energy efficiency requirements of NAECA, ASHRAE Standard 90, ICE code, and all state energy performance criteria
- Exceeds energy efficiency codes of all states, including California Energy Commission (CEC)



Recovery Table for Electric Water Heaters (US Gallons per Hour)												
Input		Temperature Rises (deg. F)										
W	BTU	40	50	60	70	80	90	100	110	120	130	140
3000	10236	30	24	20	17	15	13	12	11	10	9	9
4500	15355	46	36	30	26	23	20	18	16	15	14	13
5500	18767	56	44	37	31	28	24	22	20	18	17	16

NOTE: HTP reserves the right to make product changes or updates without notice and will not be held liable for typographical errors in literature.



Specifications and Dimensions

Water Temperature Ratings

Residential Models	Storage Capacity	A	B	C	D	E	Safety Listing	Hot / Cold Inlets	Shipping Weight (Lbs. Est.)	Min. Delivered Temp.	Max. Delivered Temp.	High Temp. Limit
EVR040C2X***	40	5 3/4"	46"	54 1/4"	19 1/2"	8"	UL 174	3/4" NPT	104	110°F (43.3 C)	150°F (65.5 C)	170°F (76.6 C)
EVR052C2X***	52		58 1/4"	66 3/4"					118			

Specifications and Dimensions - *** Refers to Electrical Specifications - See Table Below for Electrical Specifications

Model #	# Elements and Thermostats	Available Wattage	Voltage	Full Load Current in Amps (Single Phase)
EVR***C2X030	2	3,000	240	13
EVR***C2X045		4,500		19
EVR***C2X055		5,500		23

Electrical Specifications Including Corresponding Wattages / Voltages / Amperages - **** Refers to Model Type and Gallon Size - See Table Above for Specifications and Dimensions

Typical Specifications

The water heater shall be an HTP model # _____ with a _____ gallon storage capacity, an input of _____ kw (BTU), a recovery rate of _____ GPH at 100°F (56°C) temperature rise and be equipped for 240 volts, single phase, non-simultaneous operation.

The tank shall be constructed of 316L stainless steel, and have a working pressure of 150 PSI (1,034 kPa) and test pressure of 300 PSI. The water heater shall be design certified by ETL to meet the UL 174 for Household Electric Water Heater Standard, and meet or exceed the standby loss requirements of ASHRAE. Dual element water heaters shall be supplied with 3/4" NPT brass inlet and outlet connections with built-in heat traps and a full port brass drain valve.

The water heater shall be equipped with an adjustable surface mounted thermostat with manual reset high limit safety control, and an electric junction box located on the top of heater. All water heaters will be shipped with an ASME Rated temperature and pressure relief valve.

Water heaters shall be covered by a lifetime limited warranty against inner tank leakage when registered online with HTP, Inc. See product warranty for details.

The surfaces of these products contacted by consumable water contain less than 0.25% lead by weight, as required by the Safe Drinking Water Act, Section 1417.

Maximum unit dimensions shall be length _____ inches, width _____ inches and height _____ inches. Maximum unit weight shall be _____ pounds.