



Hydra Smart Tankless Wall Mounted Water Heater Submittal Sheet

Models: RTC-199

JOB NAME:

LOCATION:

ARCH. / ENGR.:

WHOLESALER:

MECH. CONTRACTOR:

MODEL NUMBER:

BTU/HR INPUT LOW - HIGH FIRE:

TYPE OF GAS:

NOTES:

Heat Exchanger

- Stainless Steel Heat Exchanger
- Low pressure drop, gasketless, vertical tube combustion heat exchanger design – provides maintenance-free operation on internal buildup of material inside the combustion chamber
- High fin fire tube heat exchanger design provides high efficiency and low pressure drop in a very compact size

Combustion System

- Modulating burner with up to 10 to 1 turndown
- 19,900 – 199,000 BTU/Hr
- Up to 0.93 Uniform Energy Factor (UEF)
- High Grade Ceramic Fiber Burner Design
- Spark Ignition
- Models Available for Natural or LP Gas
- Optical Flame monitoring

Integrated Control System

- Digital operating control and display to program and monitor boiler operation
- Programmable settings: Outdoor Reset Curve – DHW Supply Set Point – Step Sequence for delayed response for smart zones – Boost Response – Internal Storage Tank Setpoint Temperature
- Field Connection Board – Line voltage terminal strip with 120 VAC / 60 Hertz power / low voltage terminal strip with multiple contacts
- 0-10 VDC input
- Low water protection device
- Freeze protection

Additional Features

- Cascade up to Eighteen (18) Units
- Maximum Outlet Temperature of 182°F
- Superior condensate collection system with overflow protection switch
- Vents in Plastic PVC - CPVC - Stainless Steel – ULC S636 flexible polypropylene vent liner (chimney lining only)
- Vents up to 100 combined equivalent feet – 3 inch venting, and 50 combined equivalent feet – 2 inch venting
- 10 Year Limited Warranty
- Manual reset high temperature limit
- Included wall mount bracket
- Built-in low water cutoff
- Low NOx emissions – SCAQMD Certified
- NSF 372 Lead Free Compliant, as required by the Safe Drinking Water Act, Section 1417
- Optional Outdoor Enclosure Kit offers greater installation flexibility

Optional Components

- 150 PSI Pressure Relief Valve (7850P-103)
- 3/4" Tankless DHW Isolation Valves (7850P-090)
- 2" Vent Screens (7850P-088)
- 3" Polypro Flex Vent Kit (8400P-001)
- 3" (80mm) PP Concentric Vent Kit (KGAVT0601CVT)
- 3" Stainless Steel Termination Vent Kit (V1000)
- 4" Stainless Steel Termination Vent Kit (V2000)
- Condensate Neutralizer (7450P-212)
- Outdoor Enclosure Kit (7850P-107)

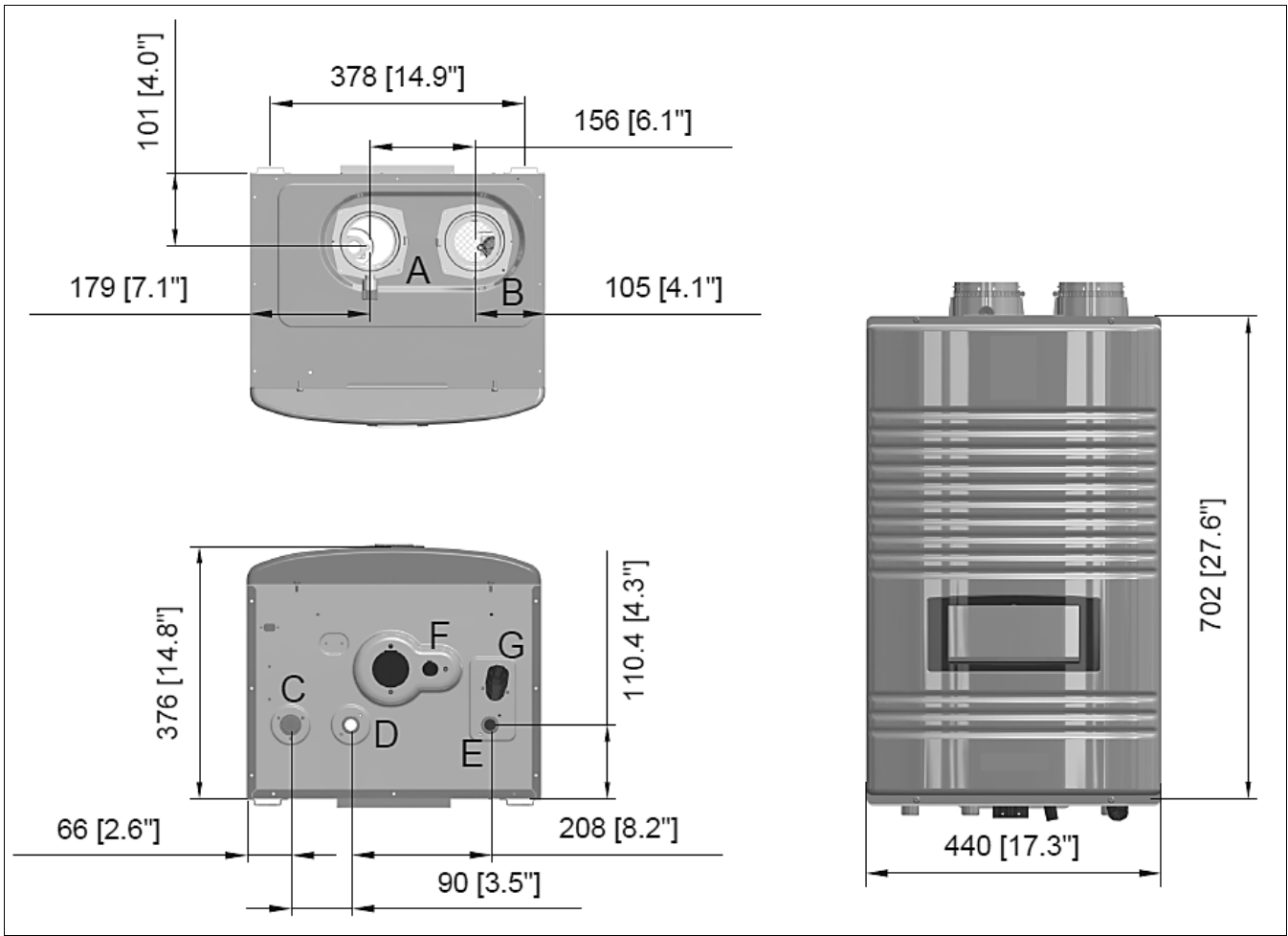


Figure 1 – Specifications and Dimensions

	DESCRIPTION	DIAMETER
A	Exhaust Outlet Pipe	3"
B	Air Intake	3"
C	Gas Inlet	$\frac{3}{4}$ "
D	DHW Outlet Adapter	$\frac{3}{4}$ "
E	DHW Inlet Adapter	$\frac{3}{4}$ "
F	Condensate Adapter	$\frac{1}{2}$ "
G	DHW Inlet Filter	N/A

Table 1 – Adapter Specifications

MODEL		RTC-199
Installation		Indoor, Wall Hung, Fully Condensing
Minimum / Maximum Input (Btu/Hr)		19,900 / 199,000
Hot Water Capacity	35°F Rise	11 Gal
	45°F Rise	8.5 Gal
	77°F Rise	5 Gal
Uniform Energy Factor (UEF)		0.93
Flue System		Sealed Combustion Direct Vent
Vent Run		2" (50 feet), 3" (100 feet), Schedule 40 PVC, CPVC, PP
Weight (lbs)		88
Orifice Size	NG	.374" (9.5 mm)
	LP	Consult Factory
Gas Supply Pressure	NG	3.5" to 14" WC
	LP	3.5" to 14" WC
Manifold Pressure	Min (3")	NG: -0.01" / LP: -0.05" WC
	Max (3")	NG: -0.11" / LP: -0.06" WC
Power Supply	Main Supply	120V 60 Hz
	Maximum Power Consumption	135W
General Operating Conditions		<p>Temperature</p> <ul style="list-style-type: none"> Ambient Temperature Range: 33 – 104°F (0.6 – 40°C) Operating Relative Humidity: Up to 90% at 140°F (40°C) Shipping and Storage Temperature Range: -4 – 176°F (-20 – 80°C) <p>Input Ratings</p> <ul style="list-style-type: none"> Power Supply and Communication (CN4): 14V DC <p>Product Approvals and Requirements</p> <ul style="list-style-type: none"> EMC: 89/336/EEC LVD: 73/23/EEC
Ignition System		Direct Electronic Ignition / Automatic Flame Sensing
Burner System		Single Orifice Premixed Fuel Modulation Metal Fiber Infrared
Gas Valve System		Air Ratio Valve
Minimum Flow Rate		0.5 GPM
Internal Pipe Material		Stainless Steel
Dimensions		W 17.3" – H 27.6" – D 14.8"
Sub Heat Exchanger Water Capacity (DHW)		Under 2 Gallons
Main Controller / Control Panel		P-920C / GTH-9500C
Water Pressure		Min 15 – Max 150 PSI
DHW Setpoint Temperature Range		95°F – 182°F (35°C – 83°C)
Connection Sizes	Cold Water Inlet / Hot Water Outlet	¾" NPT
	Gas Inlet	¾" NPT
Materials	Cabinet	Cold Rolled Carbon Steel
	Heat Exchanger	Primary Heat Exchanger: Stainless Steel Secondary Heat Exchanger: Stainless Steel
Safety Devices		Flame Rod, Burner Overheat Cut Off Device 302°F (150°C), Flue High Limit Switch 190°F (87°C), Water Temperature High Limit Switch 199°F (93°C), Freeze Protection Ceramic Heater (Turns on at 41°F / 5°C, Turns off at 59°F / 15°C)

Table 2 – Technical Specifications

NOTE: HTP reserves the right to make product changes or updates without notice and will not be held liable for typographical errors in literature.