



Point of Use Residential Electric Water Heaters

Job Name:	Location:
Engineer:	Wholesaler:
Mechanical Contractor:	Notes:
Model Number:	
Electrical Specifications:	

Electric Water Heater Models

- Available in 10, 15, and 20 gallon capacities
- Available Voltages: 120V
- Single Phase Operation
- Example Model Number: EVR020A1X014N10
- Standard configuration is 120V, Single Phase, 2000W Element

Construction

- 316L stainless steel tank tolerates high temperatures and offers superior corrosion resistance
- Lightweight construction
- Super-insulated for minimal heat loss and energy efficiency
- Top hot water outlet with integrated heat trap draws the hottest water from the tank
- Bottom cold water inlet directs cold water to the heating element, minimizing the mixing of cold and heated water and ensuring long draws of hot water
- 3/4" combination inlet and drain valve and outlet nipple constructed of durable brass
- Electric junction box located on top of water heater for easy wiring and installation

Long Life Electric Elements / Thermostat High Limit Control

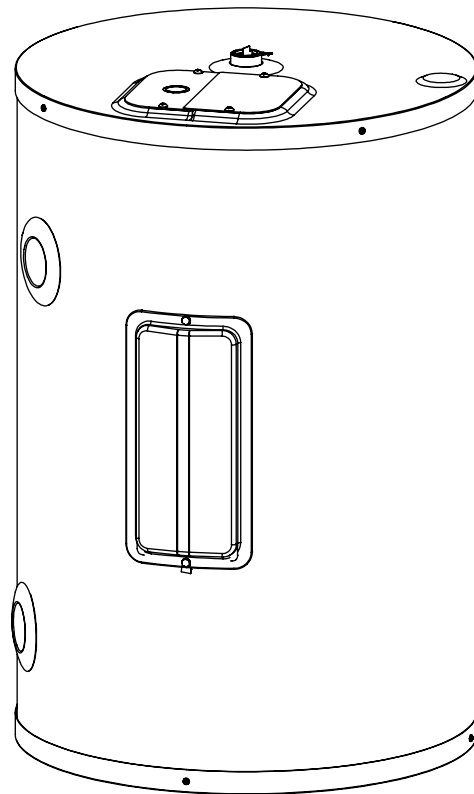
- Highest quality elements in the industry increase corrosion resistance, reducing the chance of element burnout and providing longer service life than conventional elements
- Immersed elements allow maximum recovery efficiency and direct, 98% efficient heat transfer
- Adjustable surface mounted thermostat provides years of reliable, trouble-free water temperature control
- Maximum temperature capability of 150°F
- Fully automatic high limit controls provide overheat protection - manual reset cutoff

Additional Features

- Limited Warranty - Ten (10) years coverage against inner tank leakage from the date of installation - Six (6) years coverage on component parts
- Included ASME rated Temperature and Pressure Relief Valve
- Included Combination Brass Inlet and Drain Valve
- Low standby loss

Certifications and Ratings Efficiency

- ETL Design Certified to meet the UL 174 Household Electric Storage Tank Water Heaters Standard
- North Carolina code compliant models available
- Lead Free compliant per the Safe Drinking Water Act, Section 1417



Recovery Table for Electric Water Heaters													
Input		Units	Temperature Rises										
W	BTU	Deg. F	40	50	60	70	80	90	100	110	120	130	140
		Deg. C	22.2	27.8	33.3	38.9	44.4	50	55.6	61.1	66.7	72.2	77.8
1440	4913	GPH	15	12	10	9	7	7	6	5	5	5	4
		LPH	56	45	38	32	28	25	23	20	19	17	16
2000	6824	GPH	21	17	14	12	10	9	8	8	7	6	6
		LPH	78	63	52	45	39	35	31	28	26	24	22

NOTE: The manufacturer reserves the right to make product changes or updates without notice and will not be held liable for typographical errors in literature.

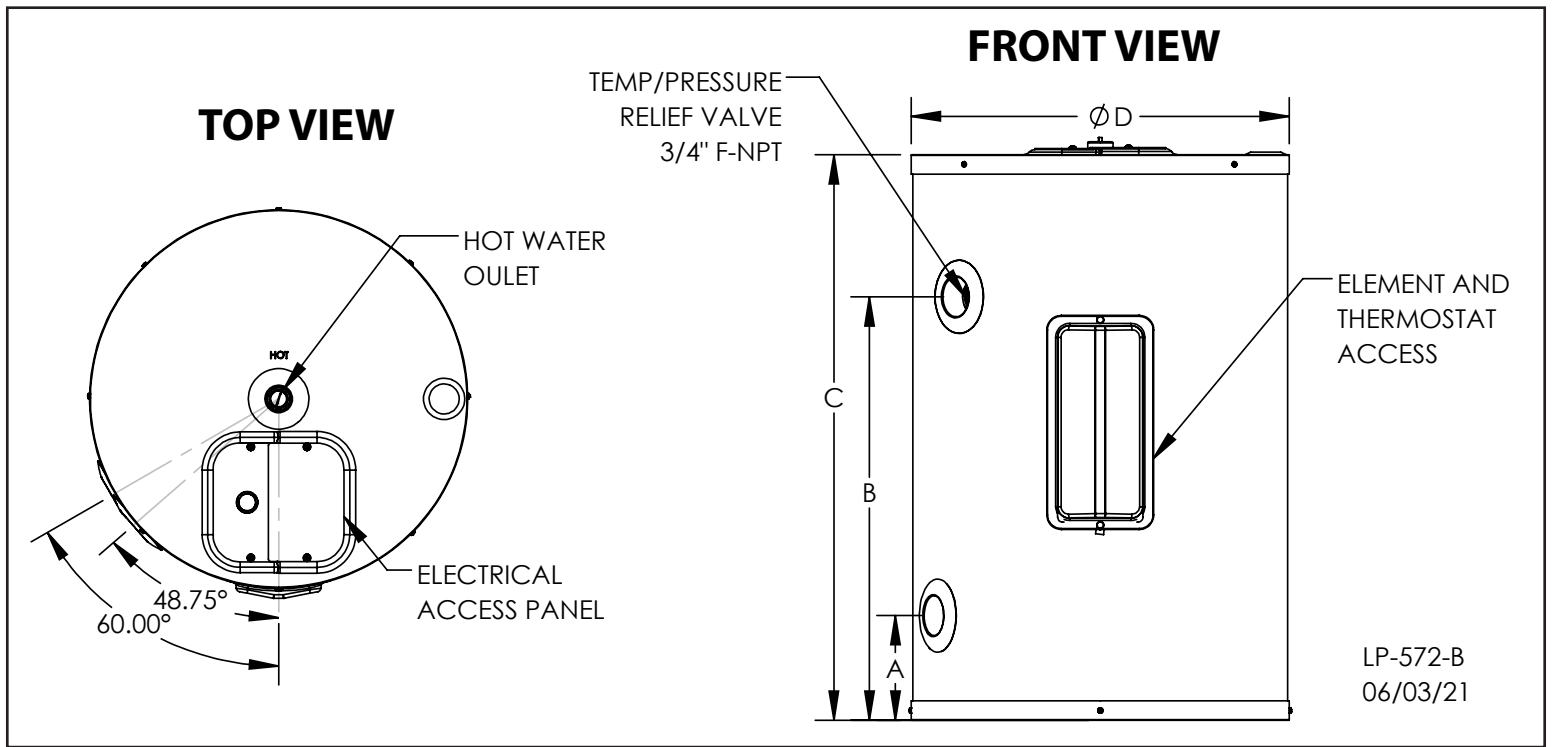


Figure 1 - Dimensional Drawing

Specifications and Dimensions								Element Wattage	Recovery @ 90°F Rise Gallons Per Hour	Water Temperature Ratings			Energy Info	Shipping Weight (Lbs. Est.)										
Models	Storage Capacity	A	B	C	D	E	Hot / Cold Inlets	Standard 120V		Min. Delivered Temp.	Max. Del. Temp.	High Temp. Limit	UEF											
EVR010A1X014N10	10	4.5"	10.25"	17.5"	19.5"	8"	3/4" NPT	1,440	7	90°F (32 C)	150°F (65.5 C)	170°F (76.6 C)	.91	42										
EVR010A1X020N10								2,000	9															
EVR015A1X014N10	15		16.25"	23.5"				19.5"	8"				3/4" NPT	1,440	7	90°F (32 C)	150°F (65.5 C)	170°F (76.6 C)	.92	46				
EVR015A1X020N10														2,000	9									
EVR020A1X014N10	20		21.75"	29"				19.5"	8"					3/4" NPT	1,440				7	90°F (32 C)	150°F (65.5 C)	170°F (76.6 C)	.92	50
EVR020A1X020N10															2,000				9					
# Elements and Thermostats		Wattage		Point of Use Single Element Single Phase Operation																				
				Amperages by Voltage and Input																				
				120																				
1		1,440		12																				
		2,000		17																				

Typical Specifications

The water heater shall be an HTP model # _____ with a _____ gallon storage capacity, an input of _____ kw (BTU), a recovery rate of _____ GPH at 100°F (56°C) temperature rise and be equipped for _____ volts, single phase operation.

The tank shall be constructed of 316L stainless steel, and have a working pressure of 150 PSI (1,034 kPa) and test pressure of 300 PSI. The water heater shall be design certified by ETL to meet the UL 174 Household Electric Storage Tank Water Heaters Standard, and meet or exceed the standby loss requirements of ASHRAE.

The water heater shall be equipped with an adjustable surface mounted thermostat with manual reset high limit safety control, and an electric junction box located on the top of heater. All water heaters will be shipped with an ASME Rated temperature and pressure relief valve.

Water heaters shall be covered by a ten (10) year limited warranty against inner tank leakage. See product warranty for details.

The surfaces of these products contacted by consumable water contain less than 0.25% lead by weight, as required by the Safe Drinking Water Act, Section 1417.

Maximum unit dimensions shall be length _____ inches, width _____ inches and height _____ inches. Maximum unit weight shall be _____ pounds.